

LS-NVP/C

Vandal Proof Sub Station for LEF, LEM, & IX (w/IX-1AS) Systems

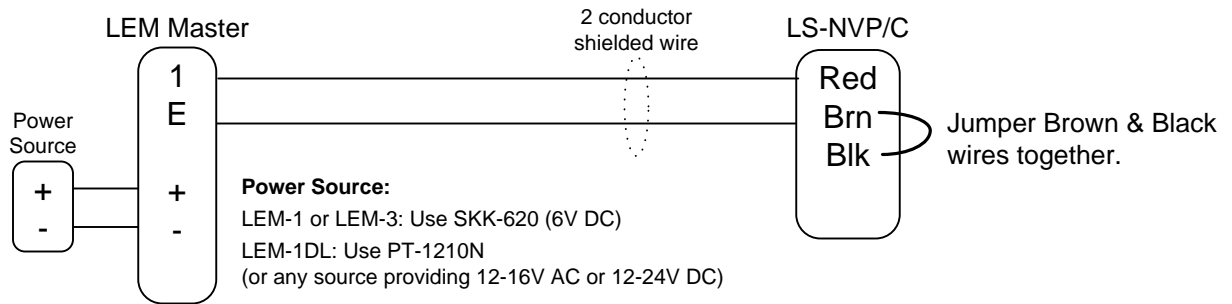
- INSTRUCTIONS -

The LS-NVP/C is a vandal proof and weather resistant sub station designed for use with the systems listed above. It's constructed of 12 gauge carbon steel with a white powder-coated finish. The LS-NVP/C mounts vertically, either flush into a 3-gang masonry box, or surface mounted with the SBX-NVP. Each unit includes tamper proof screws and tool for installation.



WIRING DIAGRAMS

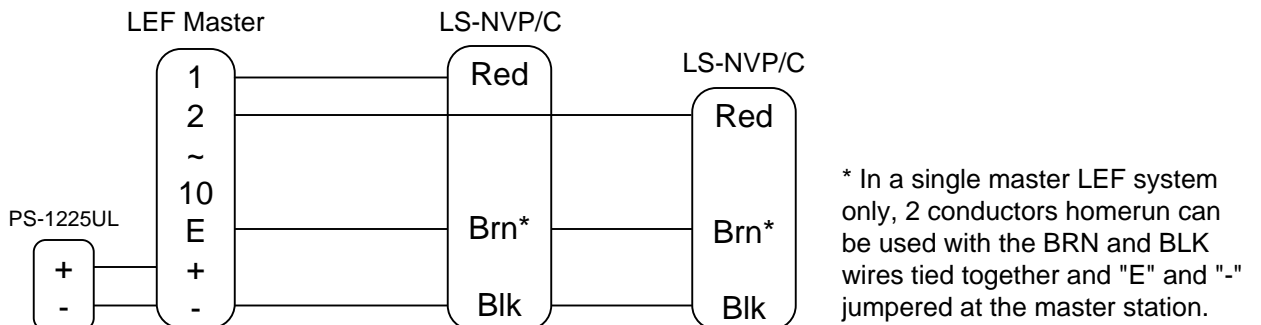
LEM SYSTEM



WIRE COLOR CODE DEFINITIONS:

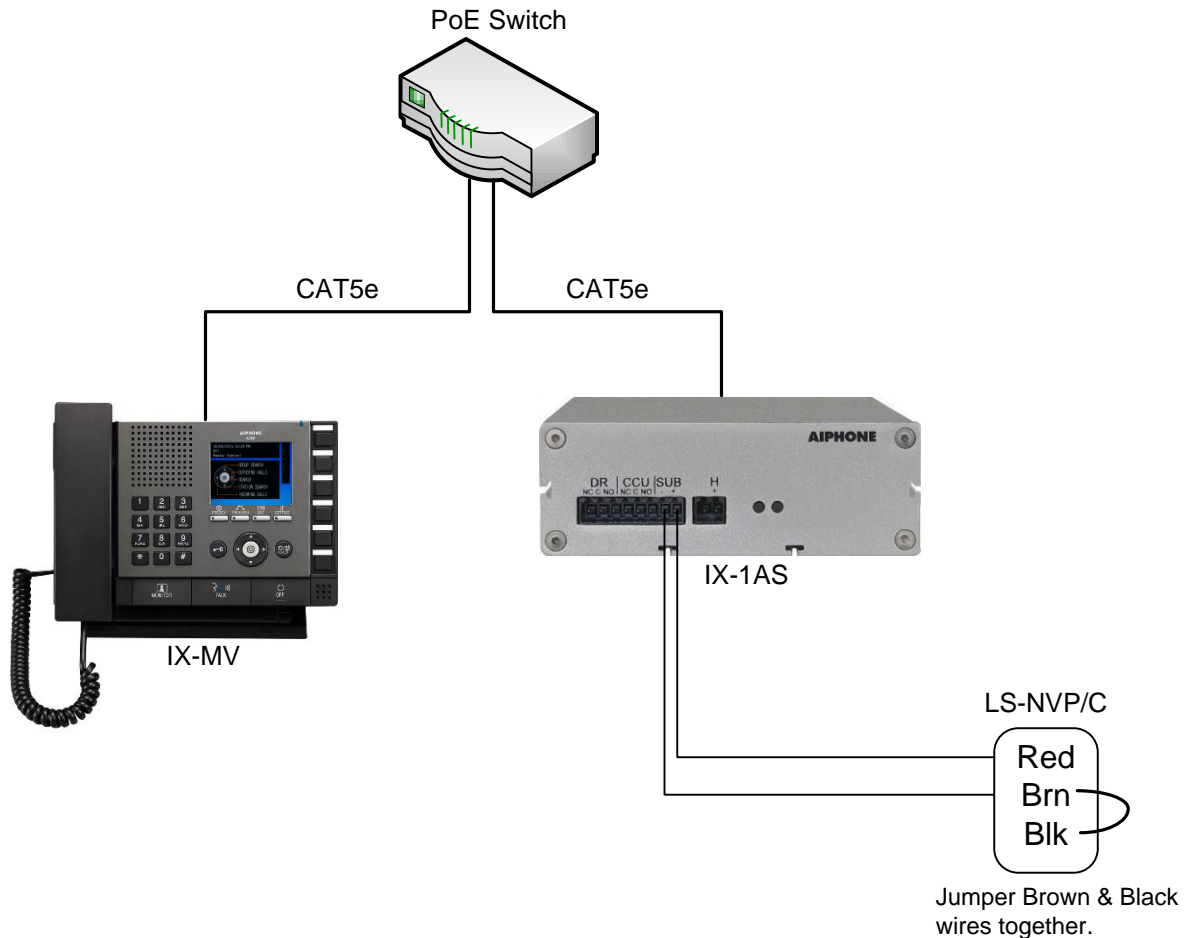
Red: + side of speaker & call switch, connect to # of master
 Brown: Common communication, connect to E of master
 Black: - side of call switch

LEF SYSTEM



WIRING DIAGRAMS

IX-1AS



Intercom wiring must be run at least 20" away from any AC wiring, fluorescent lighting, dimmer switches, or any other electronic device that may cause interference.

SPECIFICATIONS

Power Source:	Supplied by master station
Speaker:	20 ohms, 2.5" diameter, water proof and puncture resistant, 2.4 oz. ceramic magnet
Call Button:	SPST call button. Call tone rings at LEM/LEF master as long as button is held down. Call tone rings at IX-MV based on program settings. LED will remain lit for approx. 20 seconds (LEF, LEM-3). Call tone only on LEM-1DL and LEM-1.
Communication:	Hands free at sub. Master is push-to-talk, release-to-listen.
Faceplate:	12 gauge carbon steel with powder-coated white baked epoxy finish
Mounting:	Flush mount into a 3-gang masonry type box. (Raco model 692 or equivalent) Surface mount into SBX-NVP, sold separately.
Mounting Hardware:	T10 Torx tamper proof screws and tool included (6x32 for use with flush gang box)
Terminations:	Color-coded prewired pigtails
Wiring:	2 conductors in a 1-master LEF or IX-1AS system. 3 conductors in a multi-master LEF system. Shielded cable is recommended. Use Aiphone #822202 for LEM/IX. Use #822202 or #822203 for LEF.
Wiring Distance:	See system that unit is being used with for distance specifications.
Dimensions (H x W x D):	LS-NVP/C alone: 7-1/2" x 5-1/2" x 2". With SBX-NVP: 8-5/8" x 6-5/8" x 2-1/4"
Mounting Depth:	Provide mounting box with a minimum depth of 2-1/2" to allow space for internal components.