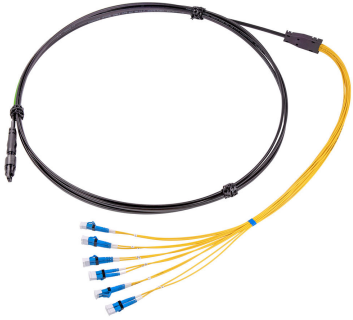


# MHD-ACC-M12J

---



Fiber Test Cable Assembly, HMFOC Jack/Pinned/Male to 12 SC/APCs, 3 Feet

## Product Classification

<b>Portfolio</b>	CommScope®
<b>Product Type</b>	Fiber drop cable assembly
<b>Product Series</b>	MHD

## General Specifications

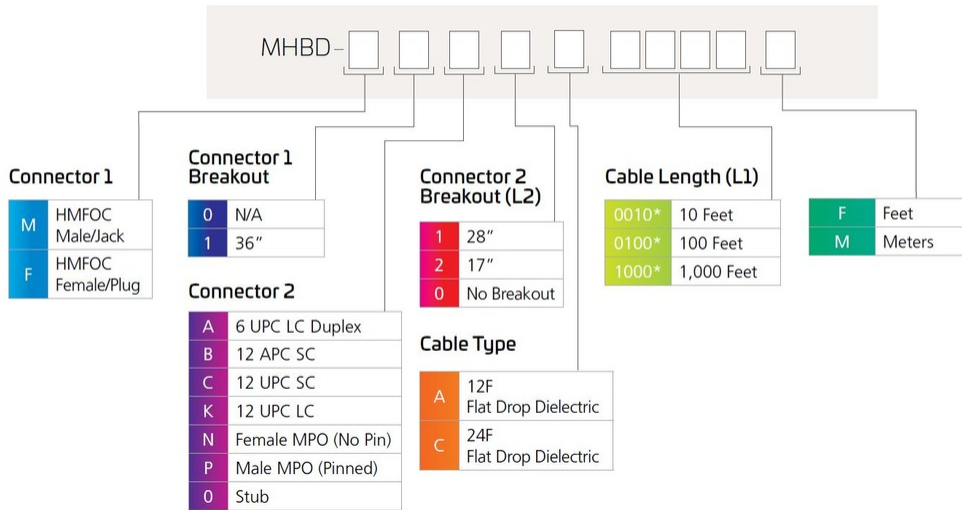
<b>Color, boot A</b>	Black
<b>Color, boot B</b>	Green
<b>Color, connector A</b>	Black
<b>Color, connector B</b>	Green
<b>Connector A, quantity</b>	1
<b>Connector B, quantity</b>	12
<b>Interface, Connector A</b>	Hardened multi-fiber (HMFOC) plug
<b>Interface Feature, connector A</b>	Male
<b>Interface, Connector B</b>	SC/APC
<b>Jacket Color</b>	Black
<b>Total Fibers, quantity</b>	12

## Dimensions

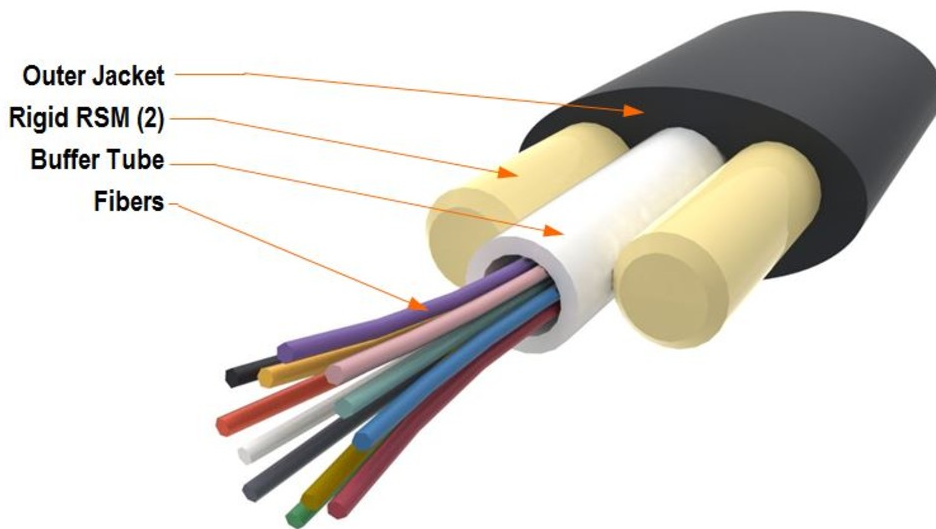
<b>Height Over Jacket</b>	4.5 mm   0.177 in
<b>Breakout Length</b>	28 in
<b>Cord Length</b>	0.91 m   2.986 ft
<b>Diameter Over Jacket</b>	8 mm   0.315 in

## Ordering Tree

# MHD-ACC-M12J



## Representative Image



## Material Specifications

**Jacket Material** Dielectric - Flat

## Mechanical Specifications

**Minimum Bend Radius, loaded** 88.9 mm | 3.5 in

**Minimum Bend Radius, unloaded** 63.5 mm | 2.5 in

# MHD-ACC-M12J

---

## Optical Specifications

<b>Fiber Mode</b>	Singlemode
<b>Fiber Type</b>	G.657.A2
<b>Insertion Loss, maximum, connector A</b>	0.45 dB
<b>Insertion Loss, maximum, connector B</b>	0.4 dB
<b>Return Loss, minimum, connector A</b>	65 dB
<b>Return Loss, minimum, connector B</b>	65 dB

## Environmental Specifications

<b>Installation temperature</b>	-30 °C to +70 °C (-22 °F to +158 °F)
<b>Operating Temperature</b>	-40 °C to +70 °C (-40 °F to +158 °F)
<b>Storage Temperature</b>	-40 °C to +75 °C (-40 °F to +167 °F)
<b>Environmental Space</b>	Outdoor, buried
<b>Jacket UV Resistance</b>	UV stabilized

## Packaging and Weights

<b>Cable weight</b>	33 kg/km   22.175 lb/kft
<b>Packaging quantity</b>	1