

TERMINAL BLOCK KIT ASSEMBLY FOR JUNCTION BOXES



Provides a strong, versatile and easily installed means for mounting terminal blocks in Hoffman junction boxes and other enclosures. These kits can be installed in:

1. Oil-Tight Junction Boxes
2. Fiberglass Type 4X Enclosures
3. Hinged Cover Lift-Off Type 3R Enclosures (16 gauge only)

These kits will NOT fit in Small Wall-Mount Enclosures or HCR Type 3R Enclosures.

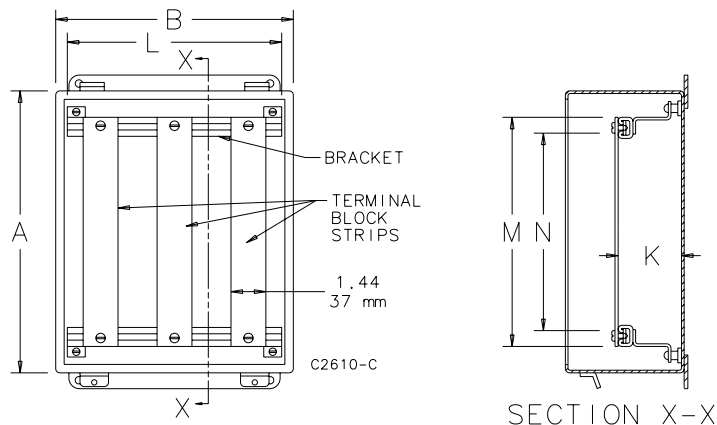
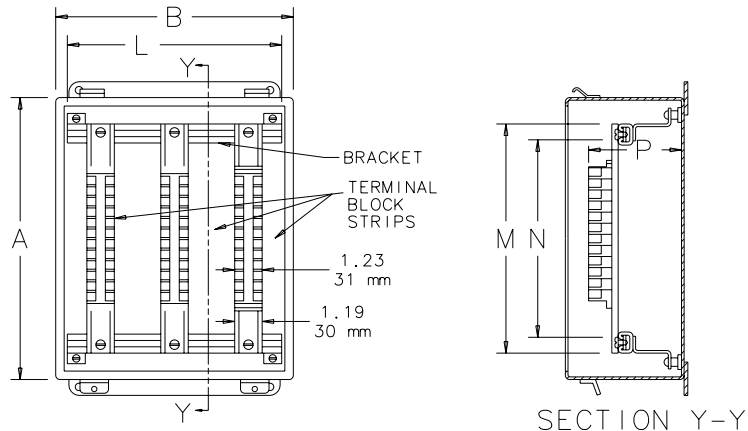
How To Order

Terminal Kit Assemblies can be installed with the terminal straps or terminal strips parallel to the A dimension or the B dimension of the box. Each box requires one bracket assembly plus the desired number of terminal straps or terminal block strips. The bracket assembly and the terminal straps or terminal block strips must be ordered separately.

1. To select the correct terminal straps or terminal block strips, determine whether they will be mounted parallel to the A dimension or parallel to the B dimension of the box. **Be sure to specify the quantity required.**
2. To select the correct bracket assembly, determine whether the brackets will be mounted parallel to the A dimension or to the B dimension of the box.

| Component | Quantity | Comments |
|-----------------------|---|------------------------------------|
| Bracket Assembly | 1 | Mount parallel to A or B dimension |
| Terminal Straps | As required for installation; specify when ordering | Use straps or strips |
| Terminal Block Strips | As required for installation; specify when ordering | Use straps or strips |

Terminal Block Kit Assembly for Junction Boxes



TERMINAL BLOCK BRACKET ASSEMBLIES FOR JUNCTION BOXES



Each bracket assembly consists of two brackets which mount on the weldnuts in the box. White finish over pretreated surfaces.

BULLETIN: A80

| Catalog Number | Enclosure Dimension Parallel to Brackets | K in./mm | L in./mm |
|----------------|---|-------------|--------------|
| A6JTMA | 6 | 1.44 37 | 5.00 127 |
| A8JTMA | 8 | 1.44 37 | 7.00 178 |
| A10JTMA | 10 | 1.44 37 | 9.00 229 |
| A10JTMAXX | 10 | 2.69 68 | 9.00 229 |
| A12JTMA | 12 | 2.69 68 | 11.00 279 |
| A14JTMA | 14 | 2.69 68 | 13.00 330 |

TERMINAL BOX STRAPS FOR JUNCTION BOXES



A terminal strap is a 12 gauge flat strap which mounts on top of the brackets. The straps can be positioned anywhere along the brackets and are held in place with spring locking nuts. White finish over pretreated surfaces. Terminal blocks are not included with terminal straps. Does not work with DIN rail-mounted terminal blocks.

BULLETIN: A80

| Catalog Number | Enclosure Dimension Parallel to Straps | K in./mm | M in./mm | Useable Space, N in./mm |
|----------------|---|-------------|--------------|-------------------------------|
| ABJS | 8 | 1.44 37 | 5.75 146 | 4.62 117 |
| A10JS | 10 | 1.44 37 | 7.75 197 | 6.62 168 |
| A12JS | 12 | 1.44 37 | 9.75 248 | 8.62 219 |
| A14JS | 14 | 2.69 68 | 11.70 297 | 10.62 270 |
| A16JS | 16 | 2.69 68 | 13.70 348 | 12.62 321 |

TERMINAL BLOCK STRIPS FOR JUNCTION BOXES



A terminal block strip is a flat channel holding Buchanan 600V terminal blocks with tubular clamp contacts assembled on the channel. These terminal blocks will accept wire sizes from #22 through #10. The number of terminal blocks assembled on each channel is shown in the table. The terminal block strips can be positioned anywhere along the brackets and are held in place with spring locking nuts. The channel has a plated finish. Terminal blocks are included with terminal block strips. Marathon terminal blocks can be provided on special order. Other brands and sizes of terminal blocks are available on special order.

BULLETIN: A80

| Catalog Number | Enclosure Dimension Parallel to Strips | Terminal Blocks per Strip | M in./mm | Useable Space, N in./mm | P in./mm |
|----------------|---|------------------------------|--------------|-------------------------------|-------------|
| ABJBNS | 8 | 8 | 5.75 146 | 4.62 117 | 3.00 76 |
| A10JBNS | 10 | 12 | 7.75 197 | 6.62 168 | 3.00 76 |
| A12JBNS | 12 | 16 | 9.75 248 | 8.62 219 | 3.00 76 |
| A14JBNS | 14 | 20 | 11.75 298 | 10.62 270 | 4.25 108 |
| A16JBNS | 16 | 24 | 13.75 349 | 12.62 321 | 4.25 108 |

TERMINAL BLOCK KIT ASSEMBLY FOR TYPE 4, 12 AND 13 ENCLOSURES



Provide strong, versatile and easily installed terminal block mounting supports. These assemblies fit many single-door Hoffman enclosures. They also fit large Type 1 enclosures and the larger sizes of Hinged Cover Lift-Off Type 3R enclosures as well as most of the Two-Door Wall-Mounted Type 12 enclosures. Kits have white finish over pretreated surfaces. Terminal Block Kit Assemblies can be installed with straps parallel to the A dimension or the B dimension of the enclosure.

How To Order

Each enclosure requires one bracket assembly plus the desired number of terminal straps. The bracket assembly and the terminal straps must be ordered separately.

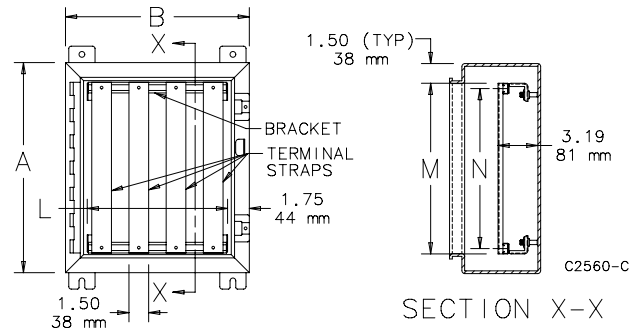
1. To select the correct terminal straps, determine whether the terminal straps will be mounted parallel to the A dimension or the B dimension of the enclosure. **Be sure to specify the quantity required.**
2. To select the correct bracket assembly, determine whether the brackets will be mounted parallel to the A dimension or the B dimension of the enclosure. Refer to the table.

One bracket is required for each row of collar studs parallel to the brackets. As a result, if the enclosure dimension is 24.00 in. (610 mm), 30.00 in. (762 mm) or 36.00 in. (914 mm) and if two brackets are needed to cover all of the collar studs order A___NTMA2; if three brackets are needed to cover the studs order A___NTMA3.

For example: If you have an A302406LP enclosure and want five terminal straps running horizontally, order one A24NTMA2 bracket assembly plus five A30T straps. If you have an A483008LP enclosure and want six terminal straps running vertically, order one A30NTMA3 bracket assembly plus six A48T straps. If you have an A363006LP enclosure and want seven terminal straps running horizontally, order one A36NTMA2 bracket assembly plus seven A30T straps.

Terminal blocks are not included. Be sure to order one bracket assembly plus the desired number of terminal straps for each enclosure.

| Component | Qty Required | Comments |
|----------------------------|-------------------------|----------------------------------|
| Bracket Assembly | 1 | Terminal blocks are not included |
| Terminal Straps | Depends on installation | Specify quantity when ordering |
| Terminal Strap Support Kit | One kit per strap | Optional |



BRACKET ASSEMBLY FOR TYPE 4, 12 AND 13 ENCLOSURES



Each bracket assembly consists of two or three brackets which mount on the enclosure collar studs. White finish over pretreated surfaces.

BULLETIN: A80

| Catalog Number | Number of Brackets | Enclosure Dimension Parallel to Brackets (in.) | Enclosure Dimension Parallel to Brackets (mm) | Bracket Length, L (in.) | Bracket Length, L (mm) |
|----------------|--------------------|--|---|-------------------------|------------------------|
| A12NTMA2 | 2 | 12.00 | 305 | 8.50 | 216 |
| A16NTMA2 | 2 | 16.00 | 406 | 12.50 | 318 |
| A20NTMA2 | 2 | 20.00 | 508 | 16.50 | 419 |
| A24NTMA2 | 2 | 24.00 | 610 | 20.50 | 521 |
| A24NTMA3 | 3 | 24.00 | 610 | 20.50 | 521 |
| A30NTMA2 | 2 | 30.00 | 762 | 26.50 | 673 |
| A30NTMA3 | 3 | 30.00 | 762 | 26.50 | 673 |
| A36NTMA3 | 3 | 36.00 | 914 | 32.50 | 826 |

TERMINAL STRAPS FOR TYPE 4, 12 AND 13 ENCLOSURES



The terminal straps can be positioned anywhere along the brackets and are held in place with spring locking nuts. This feature makes wiring easy and simplifies the addition of terminal straps at a later date. White finish over pretreated surfaces.

BULLETIN: A80

| Catalog Number | Enclosure Dimension Parallel to Straps | M (in.) | M (mm) | Useable Space, N (in.) | Useable Space, N (mm) |
|----------------|--|---------|--------|------------------------|-----------------------|
| A16T | 16 | 13.00 | 330 | 11.75 | 298 |
| A20T | 20 | 17.00 | 432 | 15.75 | 400 |
| A24T | 24 | 21.00 | 533 | 19.75 | 502 |
| A30T | 30 | 27.00 | 686 | 25.75 | 654 |
| A36T | 36 | 33.00 | 838 | 31.75 | 806 |
| A42T | 42 | 39.00 | 991 | 37.75 | 959 |
| A48T | 48 | 45.00 | 1143 | 43.75 | 1111 |
| A60T | 60 | 57.00 | 1448 | 55.75 | 1416 |

TERMINAL STRAP SUPPORT KIT



Designed to provide a simple and versatile method of mounting terminal straps. The Z-shaped brackets are 1.50-in. (38-mm) high with white finish. Brackets can be attached to panels or to enclosure walls. A terminal strap is then installed on the brackets. Terminal straps must be ordered separately. Two brackets are furnished with each kit. Spacing between brackets will depend on the number and size of terminal blocks installed on the terminal strap. We recommend a maximum spacing of 15 in. (381 mm) for an average installation.

BULLETIN: A80

| Catalog Number | Description |
|----------------|-----------------------|
| ATZ | Two Z-shaped brackets |

Terminal strap NOT included.