

REPLACEMENT DOOR WITH 3-POINT LATCH, TYPE 4X



INDUSTRY STANDARDS

Maintains NEMA Type 4X rating when properly installed on Hoffman SSLP clamp cover or SSLP3PT stainless steel wall-mount enclosures.

APPLICATION

Replacement door for SSLP and SSLP3PT style enclosures. Maintains NEMA Type 4X rating and converts clamp covers to a 3-point latch. Replacement door is ideal for corrosive enclosure installations that require frequent access and the security of a POWERGLIDE padlocking handle.

SPECIFICATIONS

- 14 gauge Type 304 or Type 316L stainless steel material
- Seamless foam-in-place gasket
- Type 316L stainless steel POWERGLIDE handle
- Internal 3-point latching hardware installed
- Data pocket is high-impact thermoplastic
- Hinge halves and stainless steel hinge pin
- Bonding provision

FINISH

Door has a smooth #4 brushed finish on the exterior. The Type 316L stainless steel handle is electropolished.

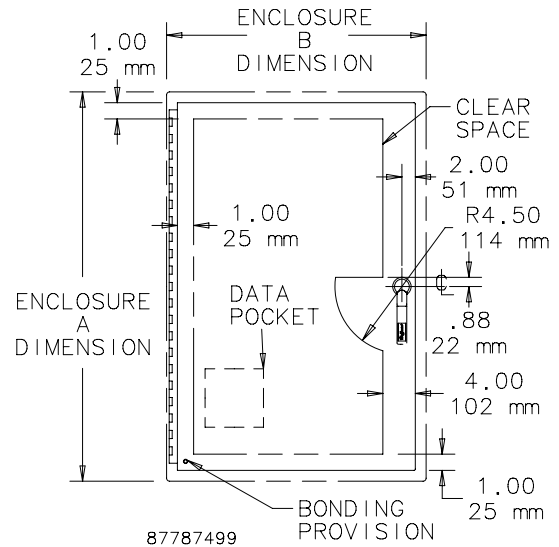
MODIFICATION AND CUSTOMIZATION

Hoffman excels at modifying and customizing products to your specifications. Contact your local Hoffman sales office or distributor for complete information.

BULLETIN: A4SW3, A4SY

Standard Product

Catalog Number	Material	Fits (in.)
Z24208SS3PT	304	A = 24.00, B = 20.00
Z24208SS63PT	316L	A = 24.00, B = 20.00
Z24248SS3PT	304	A = 24.00, B = 24.00
Z24248SS63PT	316L	A = 24.00, B = 24.00
Z30248SS3PT	304	A = 30.00, B = 24.00
Z30248SS63PT	316L	A = 30.00, B = 24.00
Z36248SS3PT	304	A = 36.00, B = 24.00
Z36248SS63PT	316L	A = 36.00, B = 24.00
Z36308SS3PT	304	A = 36.00, B = 30.00
Z36308SS63PT	316L	A = 36.00, B = 30.00
Z36368SS3PT	304	A = 36.00, B = 36.00
Z36368SS63PT	316L	A = 36.00, B = 36.00
Z48368SS3PT	304	A = 48.00, B = 36.00
Z48368SS63PT	316L	A = 48.00, B = 36.00
Z60368SS3PT	304	A = 60.00, B = 36.00
Z60368SS63PT	316L	A = 60.00, B = 36.00



Notes