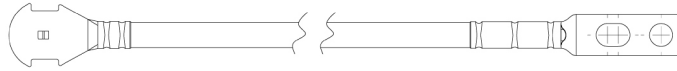




**1** 24" (.6m) Jumper



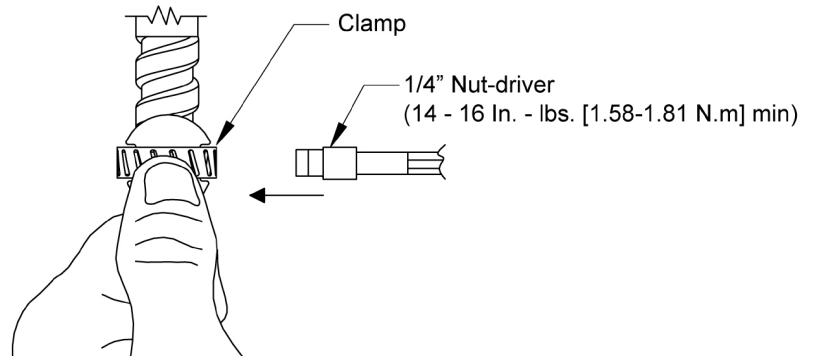
**2** Clamp



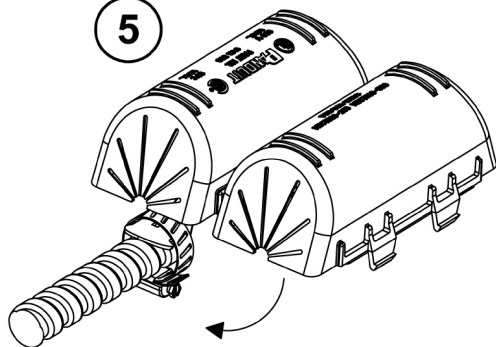
**3**



**4**



**5**



**6**

For hardware refer to  
[www.panduit.com](http://www.panduit.com)

