

Mini-Com® TX5e™ Shielded Jack Modules

specifications

Category 5e/Class D, 8-position, shielded jack module shall terminate 4-pair, 22 – 26 AWG, 100 ohm shielded twisted pair cable and shall not require a punchdown tool. Shielded jack modules shall use a forward motion termination method to optimize performance by maintaining cable pair geometry while eliminating conductor untwist. The termination cap shall be color-coded red to designate Category 5e performance and shall include a universal label coded for T568A and T568B wiring schemes.



technical information

Category 5e/Class D performance:	Exceeds channel requirements of ANSI/TIA-568.2-D Category 5e and ISO 11801 Class D standards at swept frequencies 1 to 100 MHz Exceeds component requirements of ANSI/TIA-568.2-D Category 5e and ISO 11801 Class D standards at swept frequencies 1 to 100 MHz
FCC and ANSI compliance:	Meets ANSI/TIA-1096-A contacts plated with 50 microinches of gold for superior performance
IEC compliance:	Meets IEC 60603-7 and IEC 60512-99-002
PoE and PoH compliance:	Meets IEEE 802.3af / 802.3at and 802.3bt type 3 and type 4. Supports Power over HDBaseT up to 100 watts.
c(UL)us Listed:	UL 1863 (Use as communications circuit accessory), CSA standard C22.2 UL 2043 (Suitable for use in air-handling spaces)
RoHS compliance:	Compliant
Operating temperature:	-10°C to 75°C (14°F to 167°F)
Conductor termination range:	Wire cap compatible with 22 – 26 AWG solid or stranded cable with conductor insulation diameters of 0.060" max and overall cable O.D. 0.200" to 0.330"

key features and benefits

100% performance tested	Confidence that each jack module will deliver the critical electrical performance requirements
Utilizes enhanced Giga-TX™ Technology	Optimizes performance by eliminating conductor untwist and reduces installation time and expense
Improved termination cap	Conductor retention slots simplify jack module termination
Integral shield	Provides a 360° conductive path to ground shielded jack module with no additional assembly required; shield provides seamless bonding of the jack module with Mini-Com All Metal Modular Patch Panels
Modular	Shielded jack modules snap in and out of all Mini-Com Faceplates, All Metal Modular Patch Panels, and Surface Mount Boxes for easy moves, adds, and changes
True strain relief	Controls cable bend radius for long term installed performance
Individually serialized	Marked with quality control number for future traceability
RJ45 interface	Industry standard interface provides a quick and easy plug and play connection to RJ45 patch cords; backwards compatible
Identification	Can be clearly identified with optional labels and icons for port identification
Termination tools (optional)	EGJT-1 termination tool ensures conductors are fully terminated by utilizing a smooth forward motion without impact on critical internal components for maximum reliability; TGJT termination tool ideal for high volume installations
Block out device (optional)	Provides a simple and secure method to control access to data ports while not in use

applications

Mini-Com TX5e Shielded Jack Modules are a component of the TX5500™ Shielded Copper Cabling System. This end-to-end system provides Gigabit Ethernet performance with usable bandwidth beyond 100 MHz. With certified performance to the ANSI/TIA-568.2-D Category 5e and ISO 11801 Class D standards, this system will support the following applications:

- Ethernet 10BASE-T, 100BASE-T (Fast Ethernet), 1000BASE-T (Gigabit Ethernet)
- Voice/data Systems
- Voice over Internet Protocol (VoIP)

Mini-Com TX5e Shielded Jack Modules

Jack module:	CJS5E88TGY
Shuttered jack module:	CJSH5E88TGY
Tools and Accessories	
Jack module termination tool:	EGJT-1 or TGJT
Wire snipping tool:	CWST
Wire stripping tool:	CJAST
Clear dust cap:	MDC-C
Grounding kit:	CJSGK-XY
Block out device:	PSL-DCJB-^^
Phone icons:	CIPIW-C
Data icons:	CIDWH-C+

^^To designate color other than Red, add suffix BL (Black), BU (Blue), YL (Yellow), GR (Green), OR (Orange), IW (Off White) or IG (International Gray) at the end of the part number. 10/package.

+To designate color other than WH (White), replace WH with BU (Blue), RD (Red), YL (Yellow), GR (Green), OR (Orange) in the part number. 100/package.

Contact customer service for bulk packaged jack modules.

Installing shielded jack modules in Mini-Com All Metal Modular Patch Panels is recommended. For grounding shielded jack modules not installed in a Mini-Com All Metal Modular Patch Panel, use the shielded jack module grounding kit, part number CJJK-XY

Mini-Com® TX5e™ Shielded Jack Modules

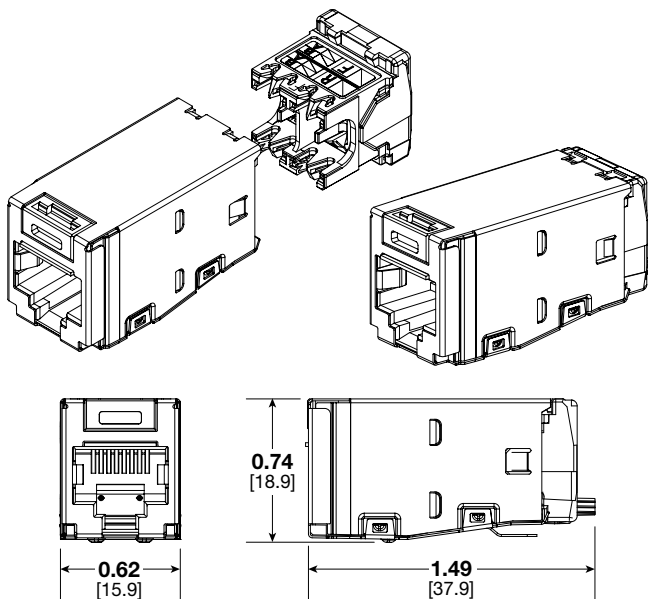
test results

Mechanical Test	Test Method	Measurement	Typical Test Results
Normal force	ANSI/TIA-1096-A	Load (grams)	>100
Vibration	IEC 512-6d	Circuit Resistance (mOhms)	<40
Shock	IEC 512-6c	Contact Disturbance (microseconds)	<5
Durability	IEC 512-9a	Circuit Resistance (mOhms)	<40
Mating/un-mating	IEC 512-13b	Mating Force (N)	<20
		Un-Mating Force (N)	<20
Termination cycles	IEC 352	Number of Cycles	>20
Mating cycles	IEC 60603-7	Number of Plug Insertions	>2500

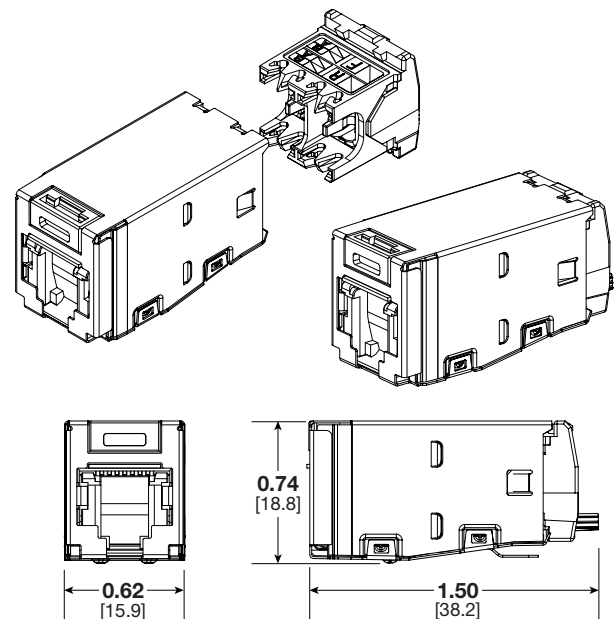
Electrical Test	Test Method	Measurement	Typical Test Results
Low level circuit resistance	IEC 512-2a	Resistance (mOhms)	<20
Dielectric withstand voltage	IEC 512-4a	1000 VAC, 1 minute	Passed
Insulation resistance	IEC 512-3a	Resistance (MOhms)	>500

Environmental Test	Test Method	Measurement	Typical Test Results
Temperature life	IEC 512-9b	Circuit Resistance (mOhms)	<40
Humidity	IEC 512-11c	Circuit Resistance (mOhms)	<40
Thermal shock	IEC 512-11d	Circuit Resistance (mOhms)	<40
Climatic sequence	IEC 512-11a	Circuit Resistance (mOhms)	<40
Flowing mixed gas corrosion	IEC 512-11g	Circuit Resistance (mOhms)	<40

Shielded Jack Module



Shielded Spring-shuttered Jack Module



Dimensions are in inches. [Dimensions in brackets are metric].

WORLDWIDE SUBSIDIARIES AND SALES OFFICES

PANDUIT US/CANADA
Phone: 800.777.3300

PANDUIT EUROPE LTD.
London, UK
Phone: 44.20.8601.7200

PANDUIT SINGAPORE PTE. LTD.
Republic of Singapore
Phone: 65.6305.7575

PANDUIT JAPAN
Tokyo, Japan
Phone: 81.3.6863.6000

PANDUIT LATIN AMERICA
Guadalajara, Mexico
Phone: 52.33.3777.6000

PANDUIT AUSTRALIA PTY. LTD.
Victoria, Australia
Phone: 61.3.9794.9020

For a copy of Panduit product warranties, log on to www.panduit.com/warranty

PANDUIT®

For more information
Visit us at www.panduit.com
Contact Customer Service by email: cs@panduit.com
or by phone: 800.777.3300

© 2022 Panduit Corp.
ALL RIGHTS RESERVED.
COSP36-WW-ENG
9/2022