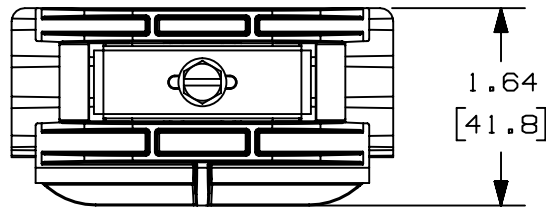
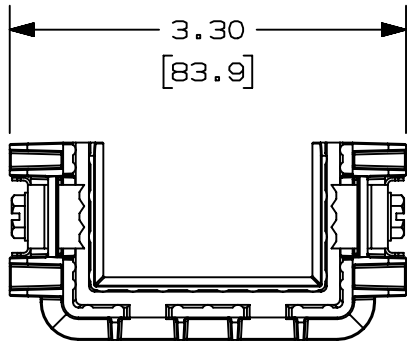
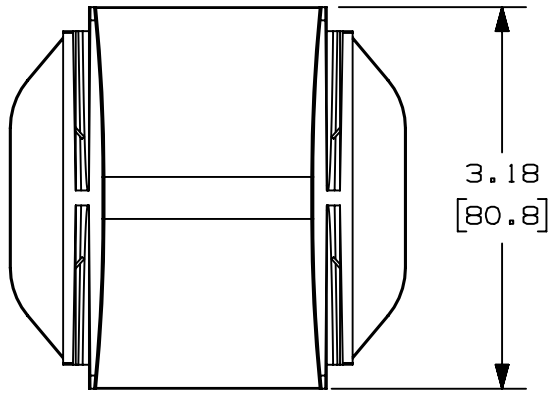


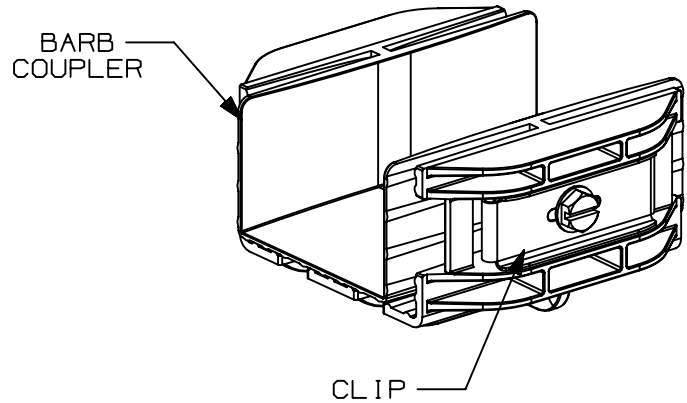
THIS COPY IS PROVIDED ON A RESTRICTED BASIS AND IS NOT TO BE USED IN ANY WAY DETRIMENTAL TO THE INTERESTS OF PANDUIT CORP.

**NOTES:**

1. SEE CURRENT CATALOG FOR ADDITIONAL PART SUFFIXES TO INDICATE COLOR AND/OR PACKAGE QUANTITY.
2. DIMENSIONS IN PARENTHESES ARE IN METRIC.
3. PARTS SUPPLIED:  
 (1) - BARB COUPLER  
 (2) - CLIP



PANDUIT PART NUMBER	WEIGHT	MATERIAL
FBC2X2**	0.18 LB/EACH (80g/EACH)	ABS
FBC2X2L**	0.18 LB/EACH (80g/EACH)	PC/ABS



REV	DATE	BY	CHK	APR	DESCRIPTION	ECN
02B	8/20/20	MEX-JAGC	DWR	DWR	ADDED PART NUMBER	V09002DZ/11
2	02-22-13	JBN	RTFI	RN	UPDATED DRAWING BORDER & TITLE BLOCK	38210-07

TITLE		FIBERRUNNER 2X2 QUIKLOCK COUPLER (FBC2X2**, FBC2X2L**)	
ITEM REVISION NAME		D38210BH/01	
DATASET FILE NAME		D38210BH_DC/01C	
MATERIAL:		SEE PART NUMBER TABLE ABOVE	
DRAWING NUMBER:		38210-07	
DRAWN BY	DATE	CHK	SCALE
JHNU	12-29-05	DJWA	NONE
SHT 1 OF 1		SIZE A	

D10100DA/14