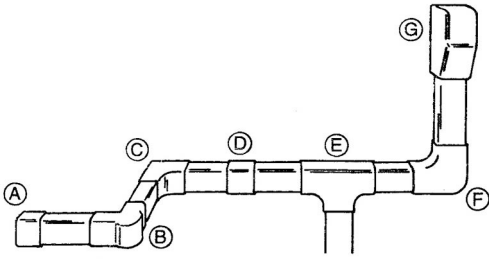


PANDUIT PAN-WAY SURFACE RACEWAY TIA/EIA COMPLIANT FITTINGS

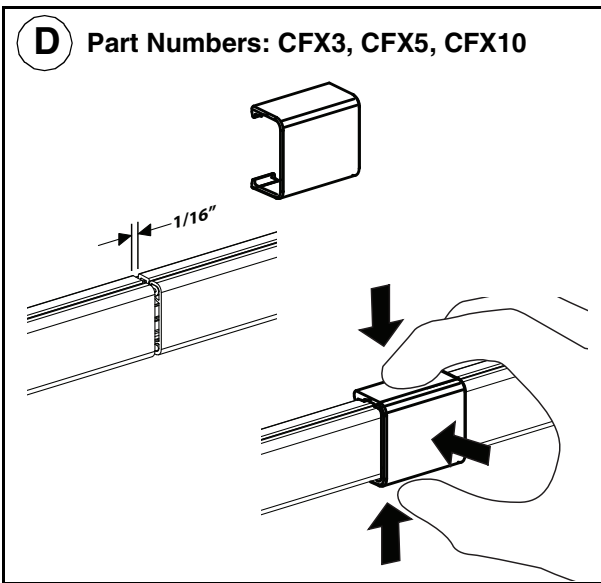
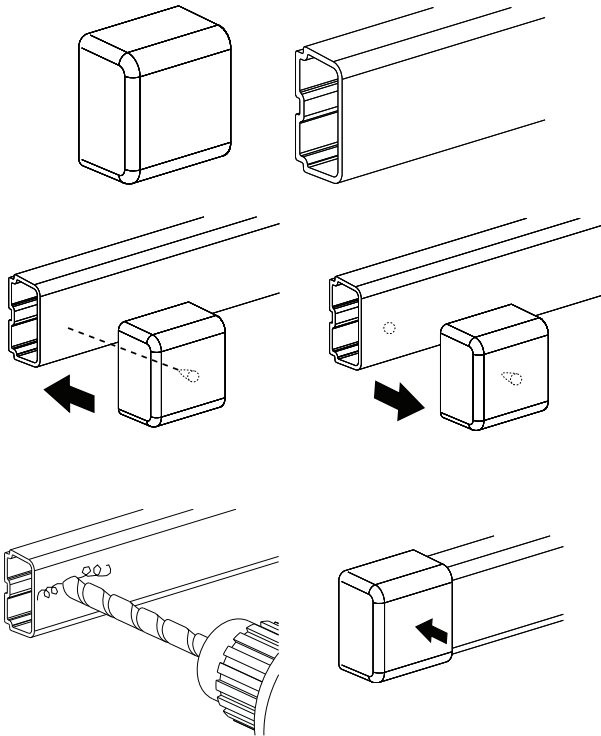
© Panduit Corp. 2022

INSTALLATION INSTRUCTIONS

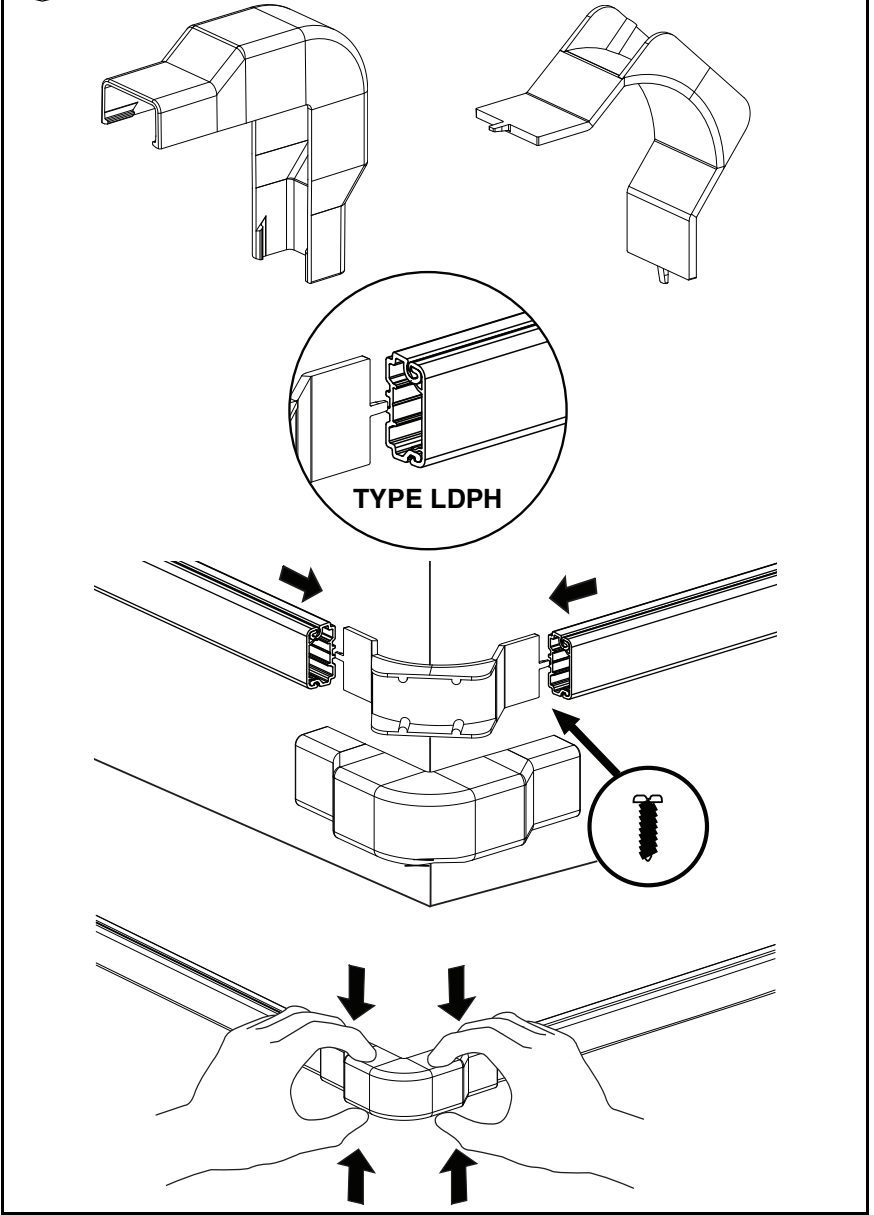
PN26_rev02



A Part Numbers: ECFX3, ECFX5, ECFX10



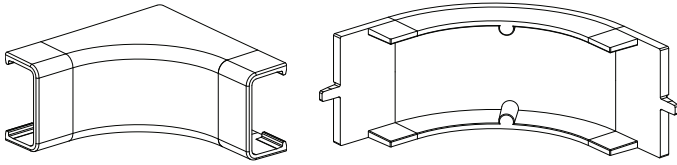
B Part Numbers: OCFX3, OCFX5, OCFX10



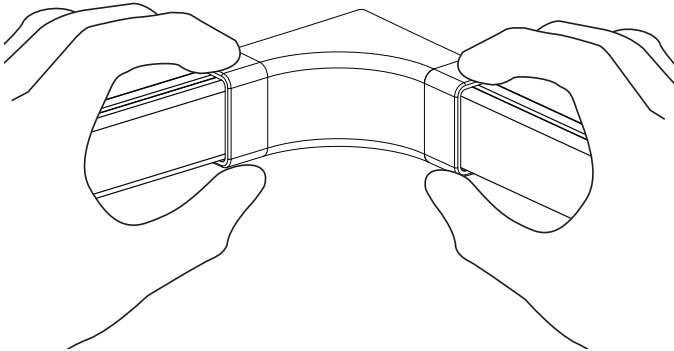
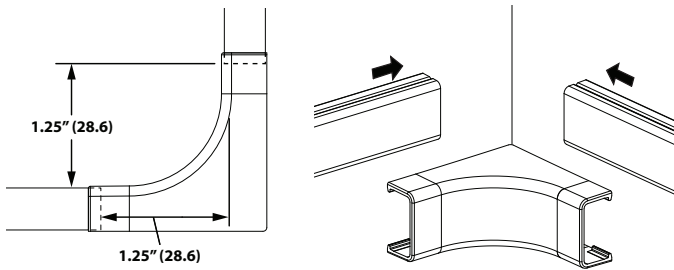
A B D
Low voltage or power applications up to 600V

For Technical Support: www.panduit.com

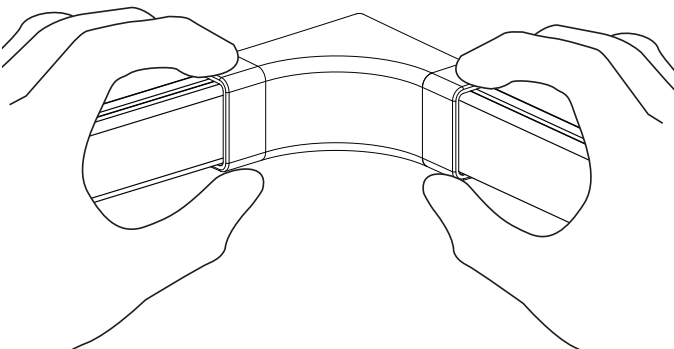
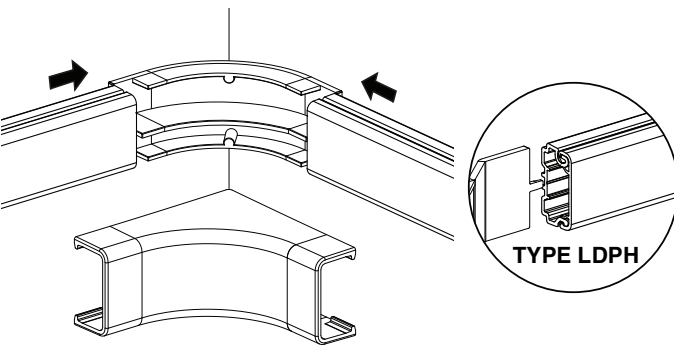
C Part Numbers: ICFC3, ICFC5, ICFC10
Part Numbers: ICFX3, ICFX5, ICFX10



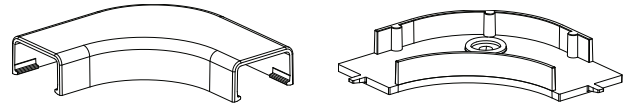
Low voltage applications (cover only)



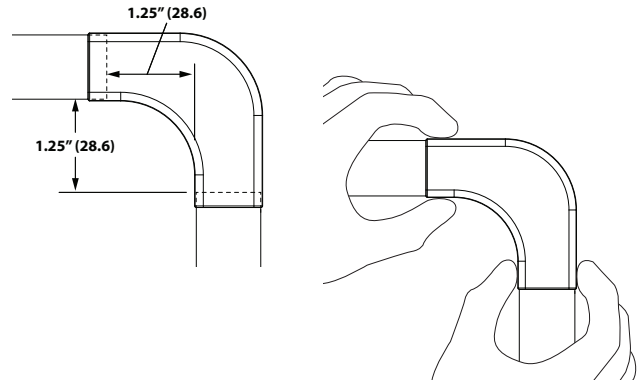
Low voltage or power applications up to 600V



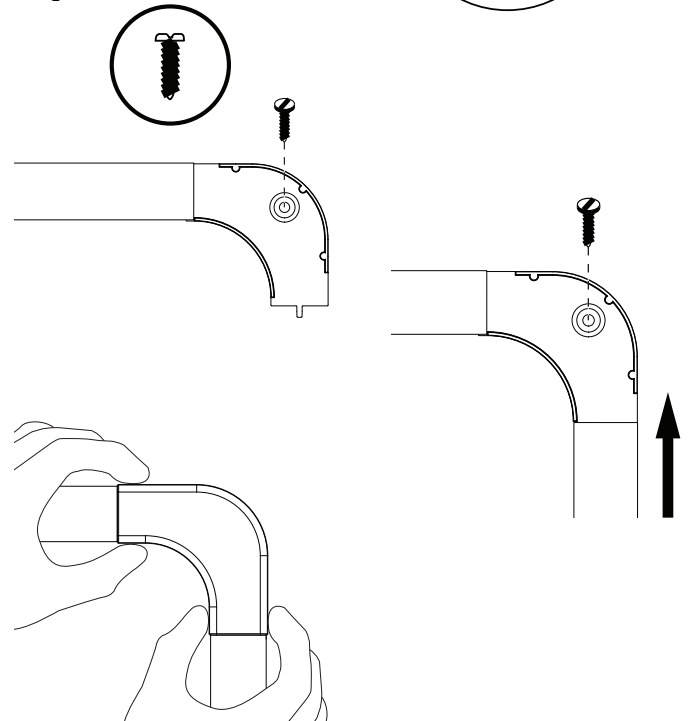
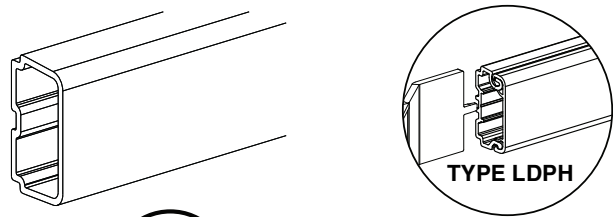
F Part Numbers: RAFC3, RAFC5, RAFC10
Part Numbers: RAFX3, RAFX5, RAFX10



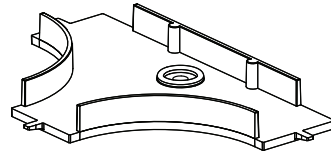
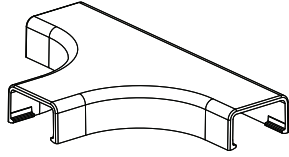
Low voltage applications (cover only)



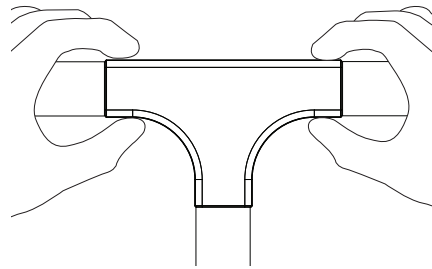
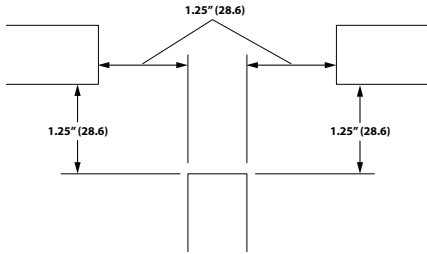
Low voltage applications (cover only)



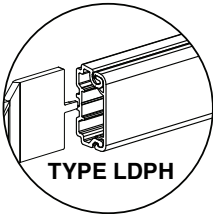
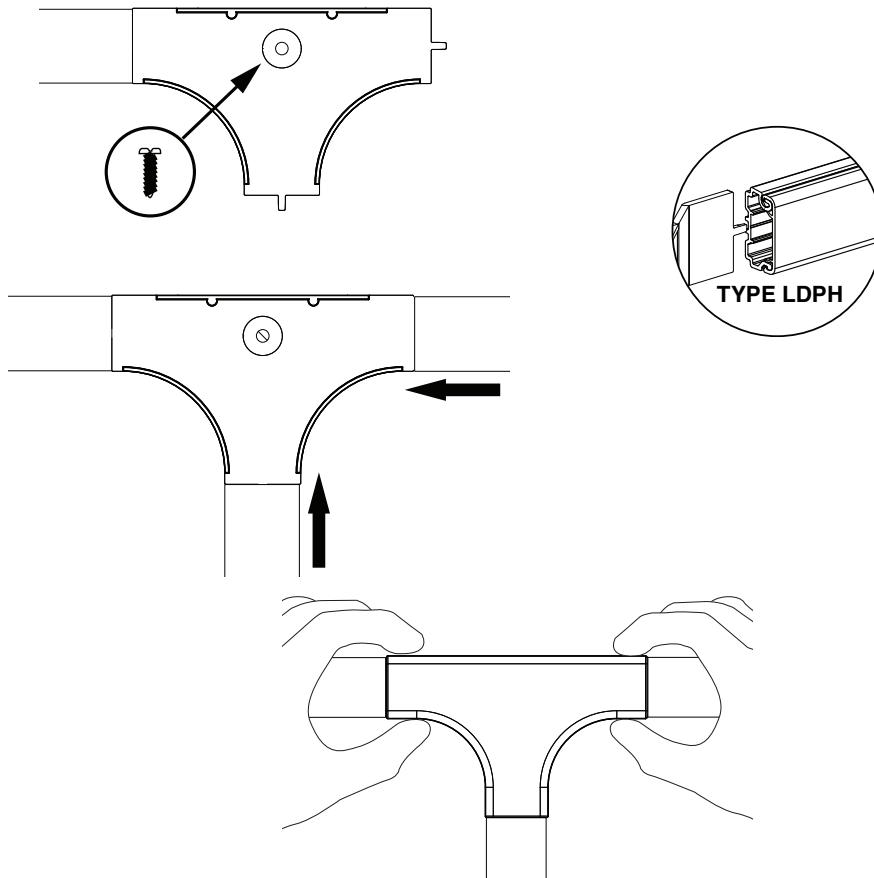
E Part Numbers: TFC3, TFC5, TFC10
Part Numbers: TFX3



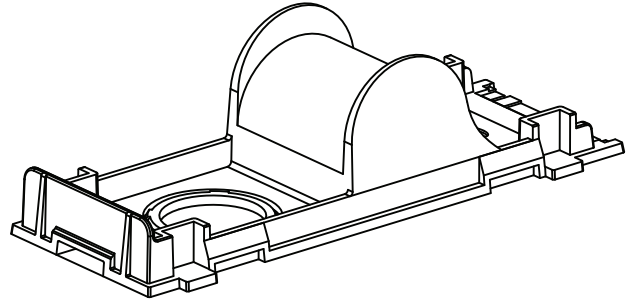
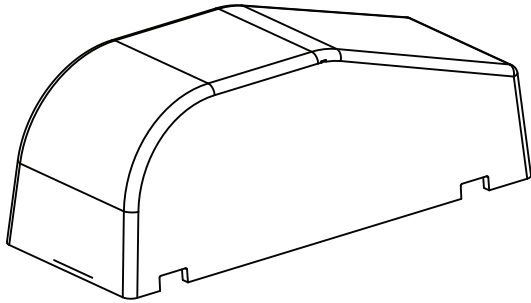
Low voltage applications (cover only)



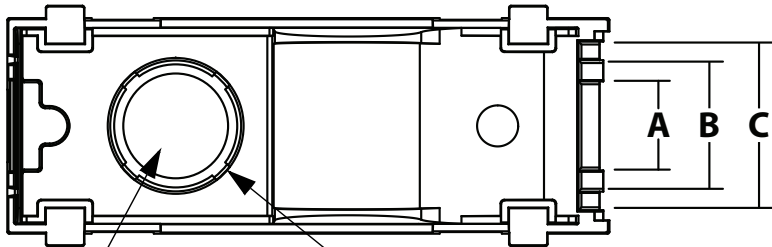
Low voltage or power applications up to 600V



G Part Number: RAEFX

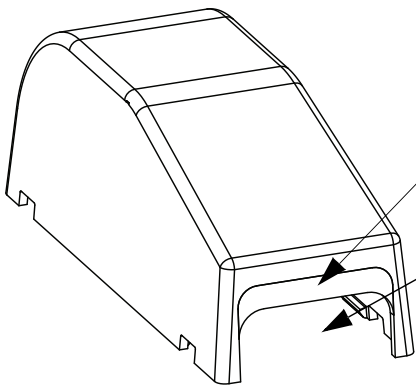


Low voltage or power applications up to 600V



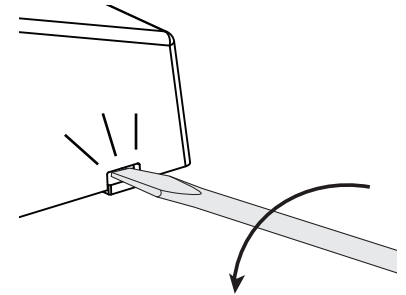
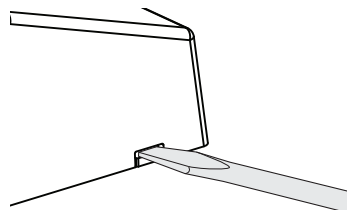
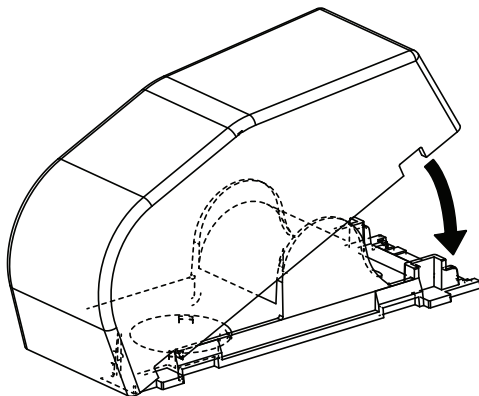
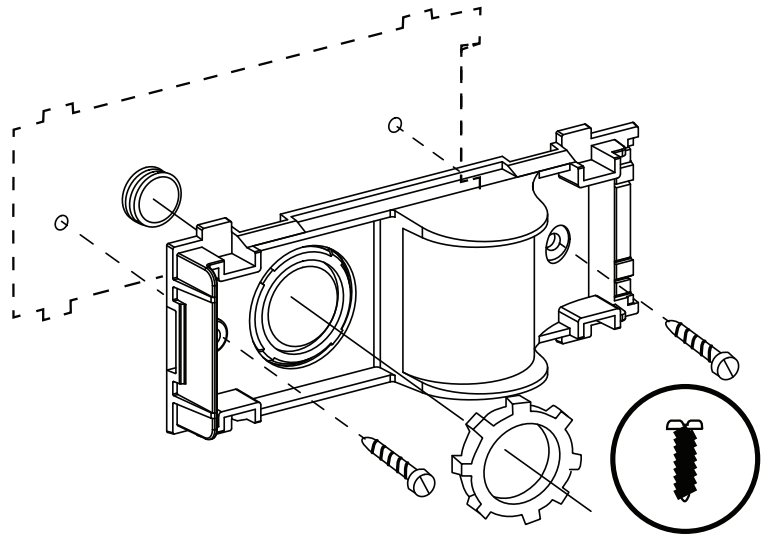
1/2" conduit opening 3/4" conduit breakout

Raceway Breakout	Used with PAN-WAY™ Raceway
A	LD3, LDPH3
B	LD5, LDPH5
C	LD10, LDPH10



Breakout for:
LD10, LDPH10

Opening for:
LD3, LD5,
LDPH3,
LDPH5



For Instructions in Local Languages
and Technical Support:
www.panduit.com

PANDUIT
www.panduit.com

E-mail:
techsupport@panduit.com
Phone:
866-405-6654