



# TWO GANG SNAP TOGETHER JUNCTION BOX

# FOR USE WITH PANDUIT SURFACE RACEWAY ROUTING SYSTEM

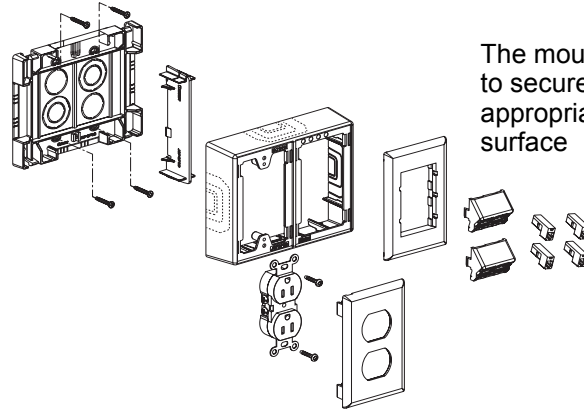
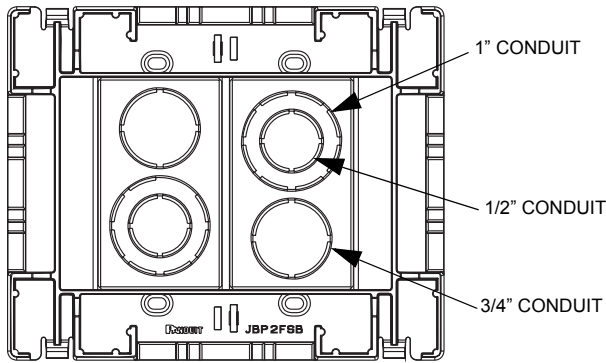
Part Number: JBP2FS

## INSTALLATION INSTRUCTIONS

©Panduit Corp. 2005

Printed in U.S.A.

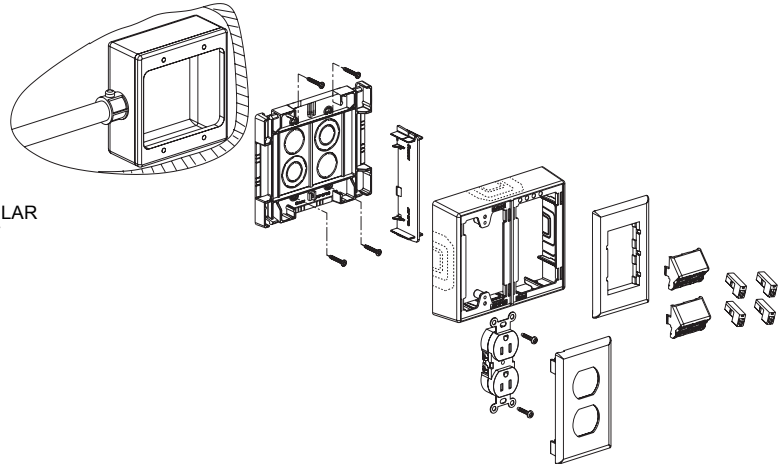
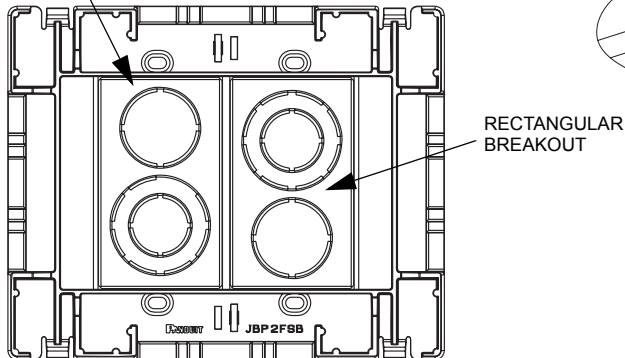
### CONDUIT APPLICATION



The mounting hardware used to secure the base shall be appropriate for the mounting surface

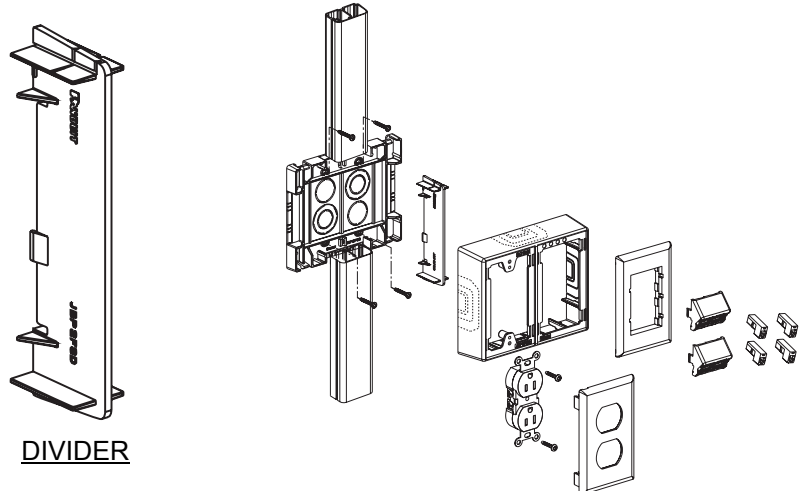
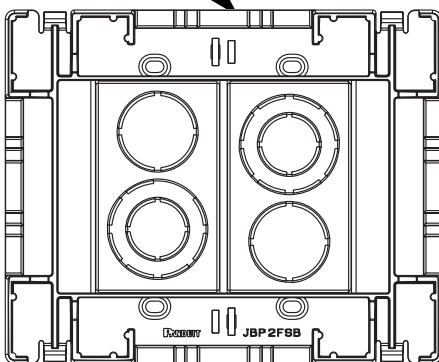
### IN-WALL BOX APPLICATION

RECTANGULAR  
BREAKOUT



### POWER/DATA APPLICATION

RACEWAY  
BREAKOUTS

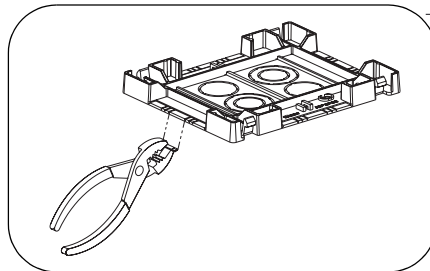
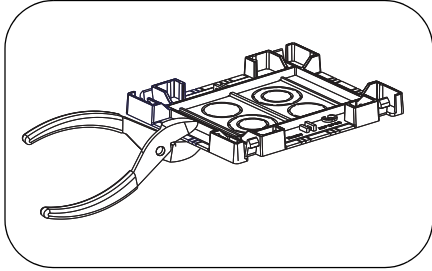
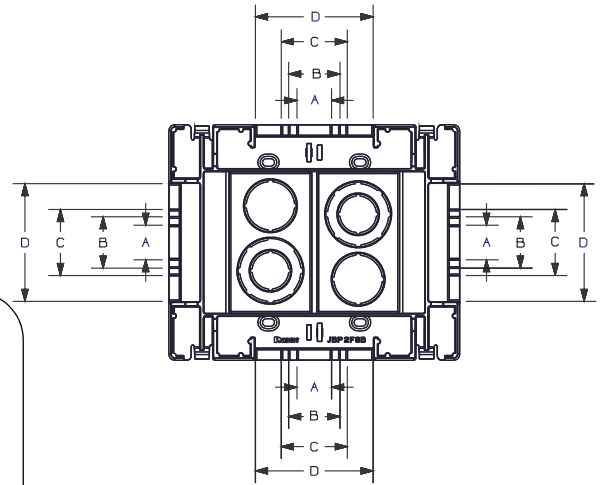


For Technical Assistance call: 866-405-6656

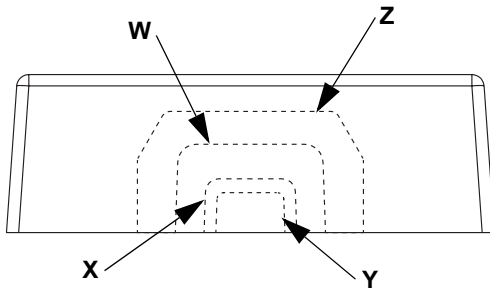
# POWER JUNCTION BOX INSTALLATION INSTRUCTIONS

## BASE BREAKOUTS

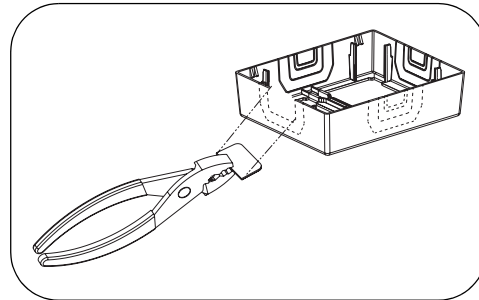
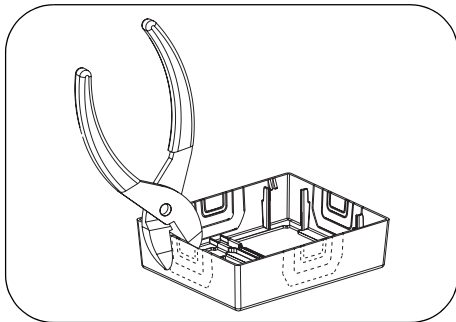
BASE	RACEWAY
A	LDPH3, LDS3, LD3, PD3
B	LDPH5, LDS5, LD5, PD6
C	LDPH10, LD2P10, LD10
D	T45



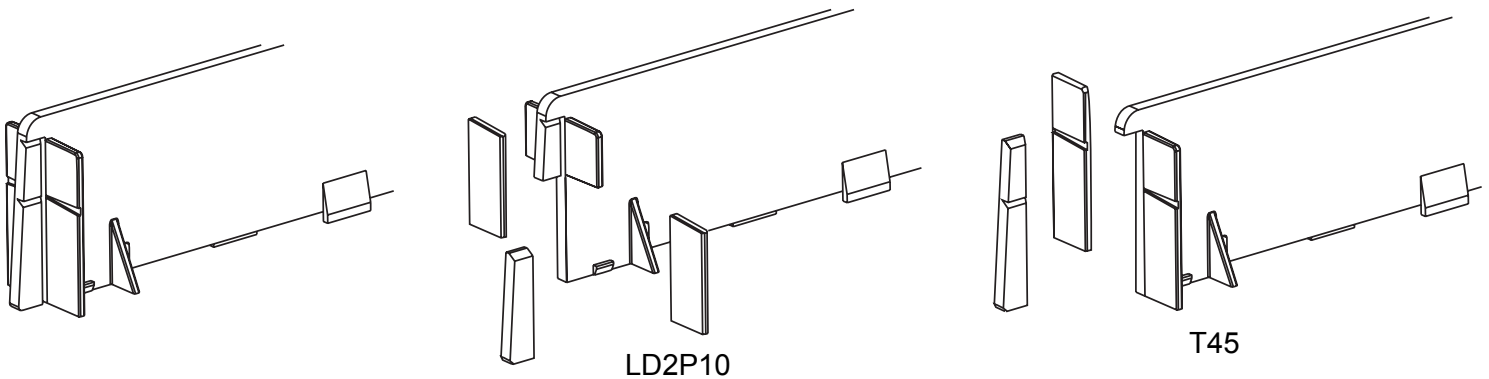
## COVER BREAKOUTS



COVER	RACEWAY	ADAPTER
W	LD10, LDPH10, LD2P10	-
W	PD3	BA3 *
W	PD6	BA6 *
X	LD5, LDPH5, LDS5	-
Y	LD3, LDPH3, LDS3	-
Z	T45	-



## DIVIDER WALL BREAKOUTS



Instruction Sheet RW68

### WORLDWIDE SUBSIDIARIES AND SALES OFFICES

17301 Ridgeland Avenue  
Tinley Park, IL 60477-3091  
Web Site: [www.panduit.com](http://www.panduit.com)



Technical Support: 866-405-6656  
Fax: 866-449-1702  
Email: [netconnsupport@panduit.com](mailto:netconnsupport@panduit.com)