



# FOR USE WITH PANDUIT SURFACE RACEWAY ROUTING SYSTEM

## TWO GANG SHALLOW JUNCTION BOX / 2 GANG FACEPLATES

PANDUIT PART NUMBERS: JBP2, JBP2S, FP2DC, FP2RC

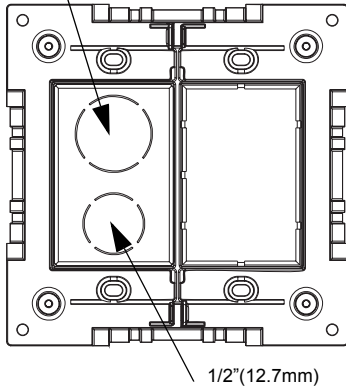
### INSTALLATION INSTRUCTIONS

©Panduit Corp. 1997

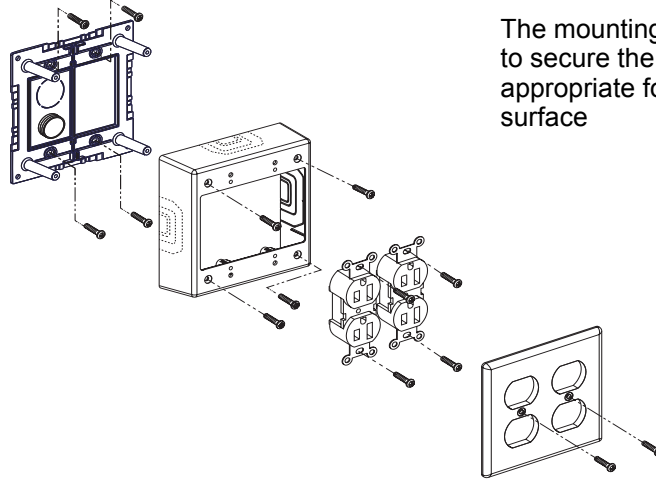
Printed in U.S.A.

#### CONDUIT APPLICATION

3/4" (19.05mm)



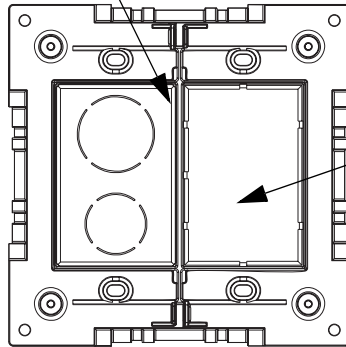
1/2" (12.7mm)



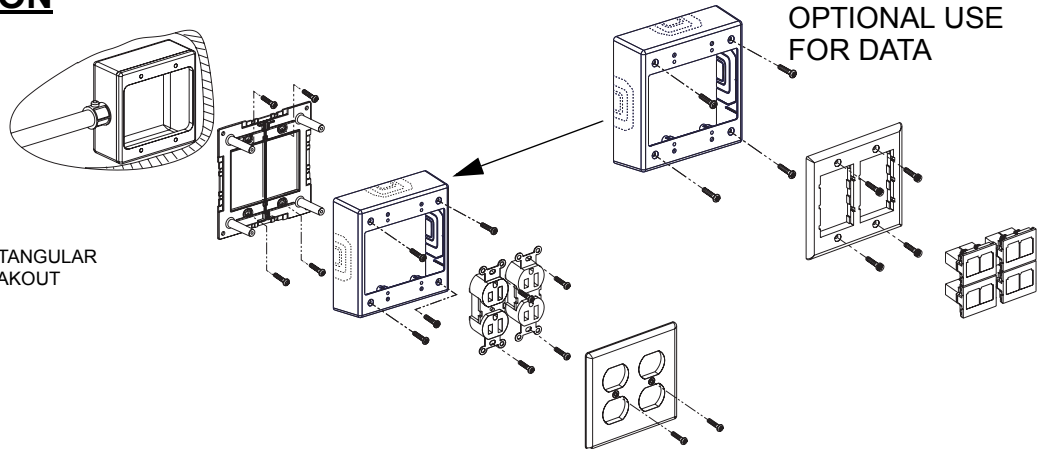
The mounting hardware used to secure the base shall be appropriate for the mounting surface

#### IN-WALL BOX APPLICATION

RECTANGULAR  
BREAKOUT



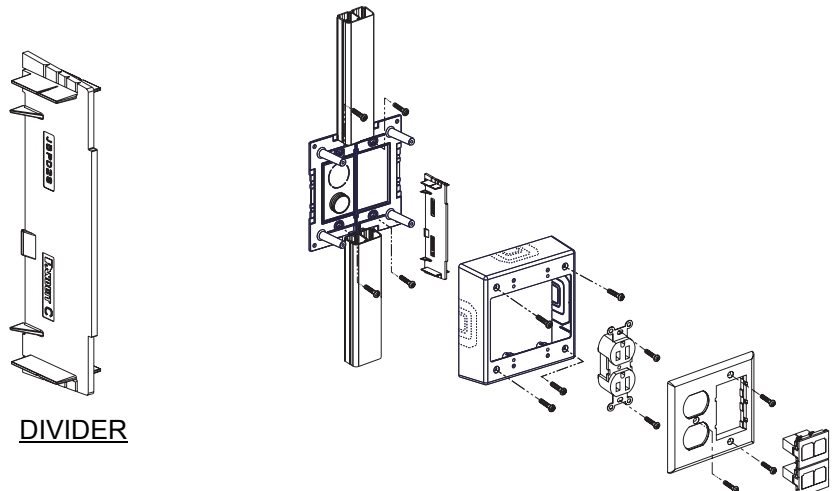
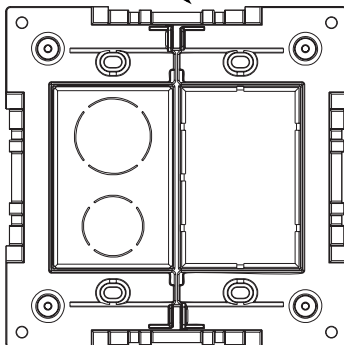
RECTANGULAR  
BREAKOUT



OPTIONAL USE  
FOR DATA

#### POWER/DATA APPLICATION

RACEWAY  
BREAKOUTS

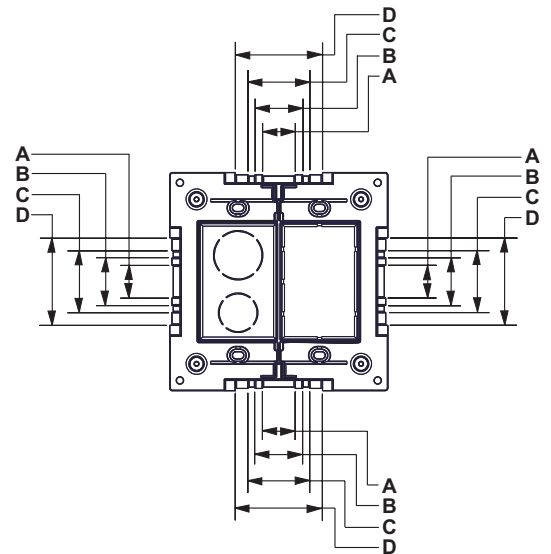
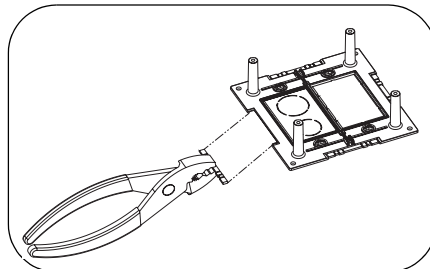
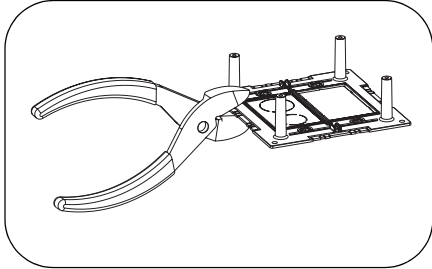


DIVIDER

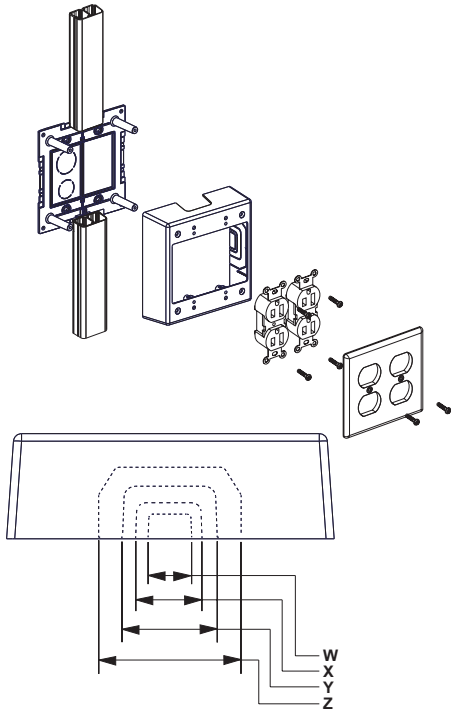
# POWER JUNCTION BOX INSTALLATION INSTRUCTIONS

## BASE BREAKOUTS

BASE	RACEWAY
A	LD3, LDP3, LDS3, PD3
B	LD5, LDP5, LDS5, PD6
C	LD10, LDP10, LD2P10
D	T45

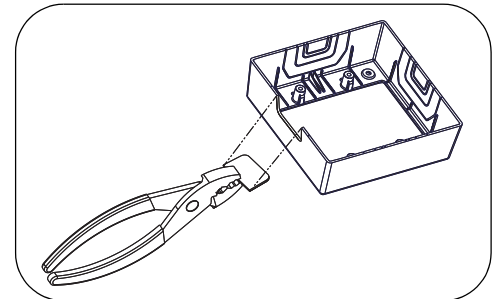
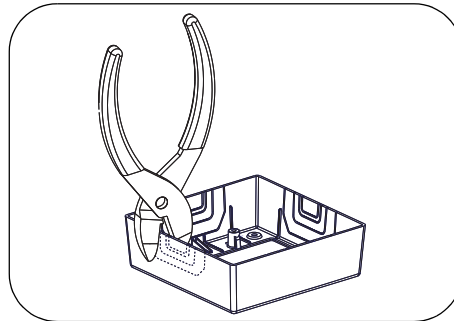


## COVER BREAKOUTS

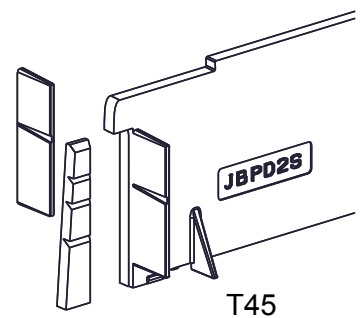
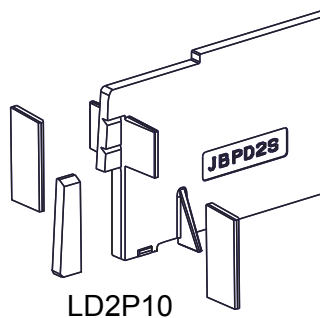
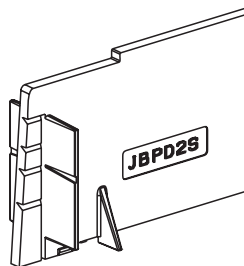


COVER	RACEWAY	ADAPTER
W	LD3, LDP3, LDS3	-
X	LD5, LDP5, LDS5	-
Y	LD10, LDP10, LD2P10	-
Y	PD3	BA3 *
Y	PD6	BA6 *
Z	T45	-

\* JBP2 ONLY



## DIVIDER WALL BREAKOUTS



LD2P10

T45

Instruction Sheet RW09E

## WORLDWIDE SUBSIDIARIES AND SALES OFFICES

17301 Ridgeland Avenue  
Tinley Park, IL 60477-3091  
Web Site: [www.panduit.com](http://www.panduit.com)



Technical Support: 866-405-6656  
Fax: 866-449-1702  
Email: [netconnsupport@panduit.com](mailto:netconnsupport@panduit.com)