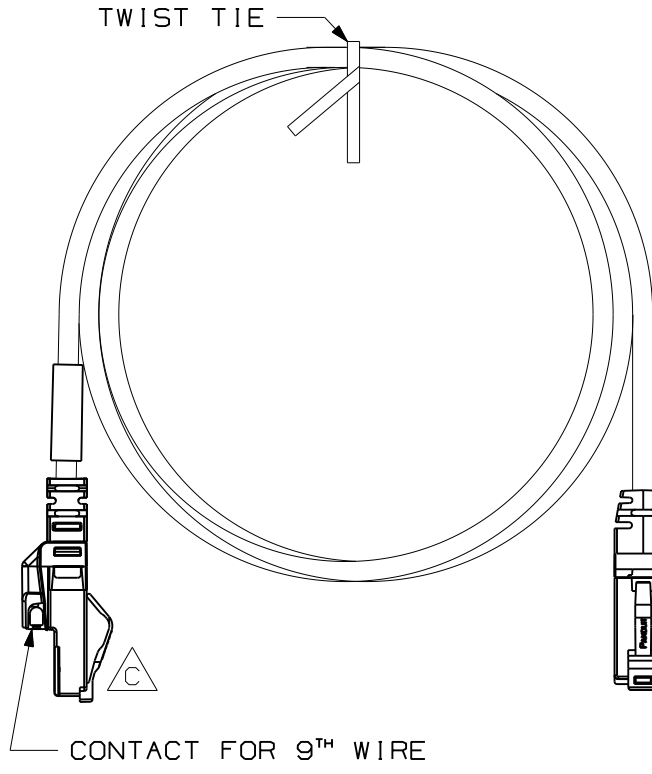


THIS COPY IS PROVIDED ON A RESTRICTED BASIS AND IS NOT TO BE USED IN ANY WAY DETRIMENTAL TO THE INTERESTS OF PANDUIT CORP.



- NOTES:
- **1. SEE CURRENT CATALOG FOR VARIOUS APPLICATIONS AND TO INDICATE COLOR AND OR PACKAGE QUANTITY.
 2. SEE CATALOG FOR A COMPLETE LIST OF PARTS APPLICABLE FOR USE WITH THIS PART.
 3. TERMINATED WITH (8 POSITION) MODULAR PLUGS AT BOTH ENDS PER T568B.
 4. CONSTRUCTED WITH STRANDED CAT6 UTP CM PATCH CABLE
 5. MATERIALS:
PLUG: POLYCARBONATE
BOOT: CLEAR PVC

PANDUIT PART NUMBER	MIN. CABLE LENGTH	WEIGHT
PVUTPSPC3B**Y	3 FT.	.095 LB/EACH (43.1 g/EACH)
PVUTPSPC5B**Y	5 FT.	.150 LB/EACH (68.0 g/EACH)
PVUTPSPC7B**Y	7 FT.	.205 LB/EACH (93.0 g/EACH)
PVUTPSPC9B**Y	9 FT.	.260 LB/EACH (117.9 g/EACH)
PVUTPSPC14B**Y	14 FT.	.395 LB/EACH (179.2 g/EACH)
PVUTPSPC20B**Y	20 FT.	.560 LB/EACH (254.0 g/EACH)
PVUTPSPC1MB**Y	1 METER	.103 LB/EACH (46.6 g/EACH)
PVUTPSPC2MB**Y	2 METER	.193 LB/EACH (87.5 g/EACH)
PVUTPSPC3MB**Y	3 METERS	.283 LB/EACH (128.4 g/EACH)
PVUTPSPC5MB**Y	5 METERS	.460 LB/EACH (209.0 g/EACH)
PVUTPSPC7MB**Y	7 METERS	.634 LB/EACH (287.6 g/EACH)
PVUTPSPC10MB**Y	10 METERS	.895 LB/EACH (406.0 g/EACH)



T568B WIRING SCHEME

PLUG POSITION:	CABLE WIRE:
1	WHITE/ORANGE
2	ORANGE
3	WHITE/GREEN
4	BLUE
5	WHITE/BLUE
6	GREEN
7	WHITE/BROWN
8	BROWN

MODEL FILENAME	M01294AE/06	SIZE	A
DRAWING FILENAME	M01294AE_DC14/06A		

PANVIEW TX6 PLUS UTP, CROSS-CONNECT PATCH CORD CUSTOMER DRAWING

REV	DATE	BY	CHK	DESCRIPTION	ECN	R	CUST	SUP	OTH
2	11-02-09	MDJr	KSM	C. UPDATED PLUG ASSEMBLY WITH KEYED PLUG HOUSING.	01294-14		PBD		
1	10-25-07	JsP	MJD	B. ADDED "Y" TO PART NUMBERS. A. ADDED 2,7, AND 10 METER LENGTHS.	01294-14	MJD	MJD		
R	05-22-03	MLJ	TJO	RELEASED TO PRODUCTION	01294-14				

<p>PANDUITTM CORP. TINLEY PARK, ILL 60477</p>	I.I. NUMBER	
	PRODUCT SPEC	
<p>THIRD ANGLE PROJECTION</p>	WORK INSTRUCTION	
	SCALE	NONE
DRAWN BY MLJ	REVIEW DRAWING NUMBERS	PART NO. PVUTPSPC*B**Y
DATE 10-01-02		DRAWING NO. 01294-14
CHK'D TJO		