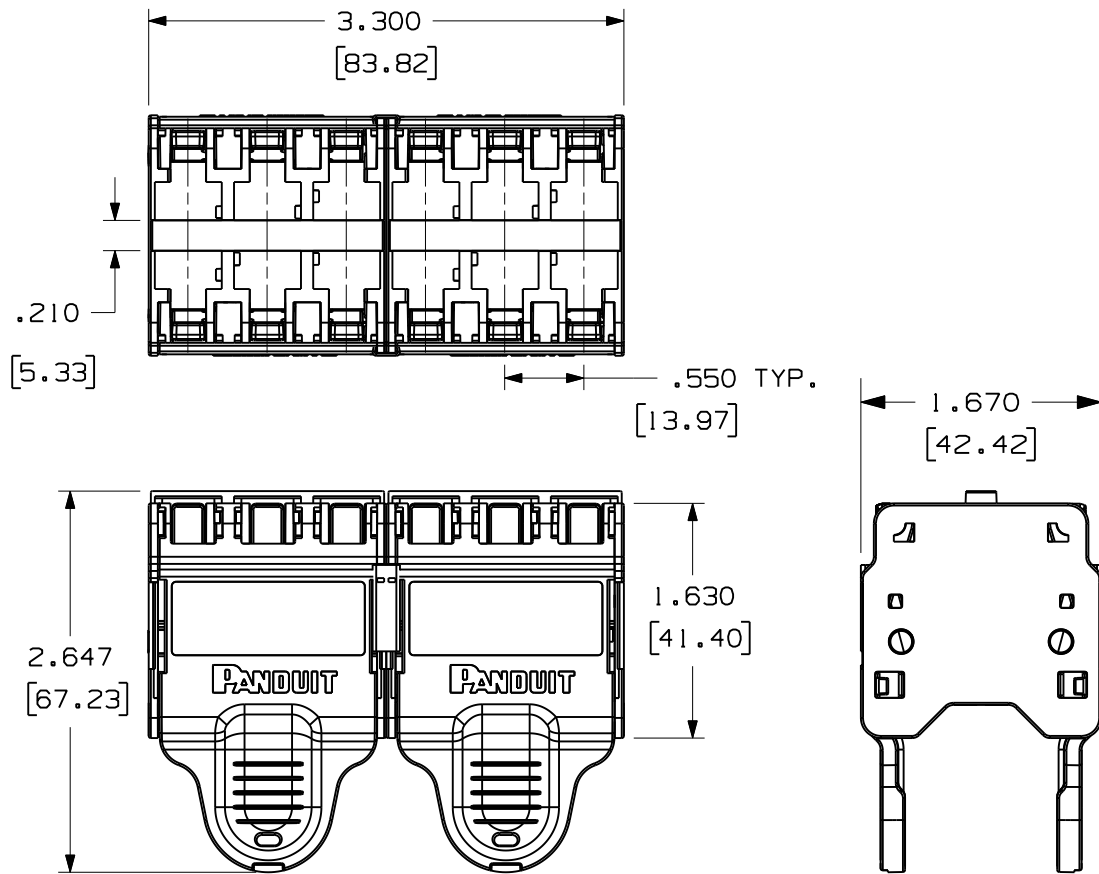
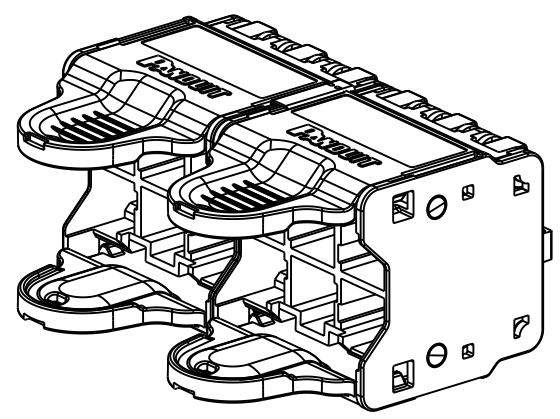


THIS COPY IS PROVIDED ON A RESTRICTED BASIS AND IS NOT TO BE USED IN ANY WAY DETRIMENTAL TO THE INTERESTS OF PANDUIT CORP.



PANDUIT PART NUMBER	COLOR	WEIGHT (APPROX)
QPPN12BU	BLUE	0.175 LB [79.4 g]
QPPN12WH	WHITE	0.175 LB [79.4 g]
QPPN12RD	RED	0.175 LB [79.4 g]
QPPN12BL	BLACK	0.175 LB [79.4 g]

- NOTES:
1. AVAILABLE WITH BLUE, WHITE, RED OR BLACK RELEASE LEVERS.
 2. AVAILABLE WITH PATCH CORDS PREINSTALLED, BUNDLED, AND LABELED. SEE CURRENT CATALOG FOR PLUG PACK ASSEMBLY PART NUMBER MATRIX.
 3. GUARANTEED COMPATIBLE WITH PANDUIT PLUGS AND PATCH CORDS ONLY.
 4. COMPATIBLE WITH NUMEROUS SWITCH CHASSIS AND LINE CARD DESIGNS.
 5. FIT TESTING PLUG PACKS IS RECOMMENDED TO ENSURE COMPATIBILITY WITH SPECIFIC ACTIVE EQUIPMENT.
 6. LOCK-IN DEVICE (QPPLD6-X AVAILABLE TO PREVENT ACCIDENTAL PLUG PACK REMOVAL.
 7. PLUG REMOVAL TOOL (QPPRT) AVAILABLE TO REMOVE INDIVIDUAL PATCH CORDS.
 8. PART INCLUDES (1) 12-POSITION PLUG PACK, (2) MARKER TIES AND (2) I.D. LABEL SETS.



MODEL FILENAME	M02802AH/01	SIZE	A
DRAWING FILENAME	M02802EB_DC26/01A		
QUICKNET 12 PACK PLUG PACK CUSTOMER DRAWING			
 TINLEY PARK, IL 60487		I.I. NUMBER	
		PRODUCT SPEC/ PKG SPEC	
THIRD ANGLE PROJECTION		ASSY METHOD/ TEST METHOD	
ALL DIMENSIONS ARE GIVEN IN INCHES, UNLESS OTHERWISE SPECIFIED. DIMENSIONAL TOLERANCES ARE: (.X) ±.03 (.XXX) ±.005 (.XX) ±.01 ANGLES ± 1°		SCALE	
		.75 TO 1	
DRAWN BY	MDJr	REVIEW DRAWING NUMBERS	PART NO.
DATE	10-09-07		A OPPN12**
CHK'D	WFM1	MAT'L	DRAWING NO.
		ABS, GF PBT	02802-26

REV	DATE	BY	CHK	DESCRIPTION	ECN	R	CUST	SUP	OTH
I	12-5-11	BJN	JSP	B. PACK WAS POSITION A. CHANGED P/N TO OPPN12**	02802-26	JSP	JSP		
R	10-22-07	MDJr	WFM1	RELEASED TO PRODUCTION	02802-26		REGA		