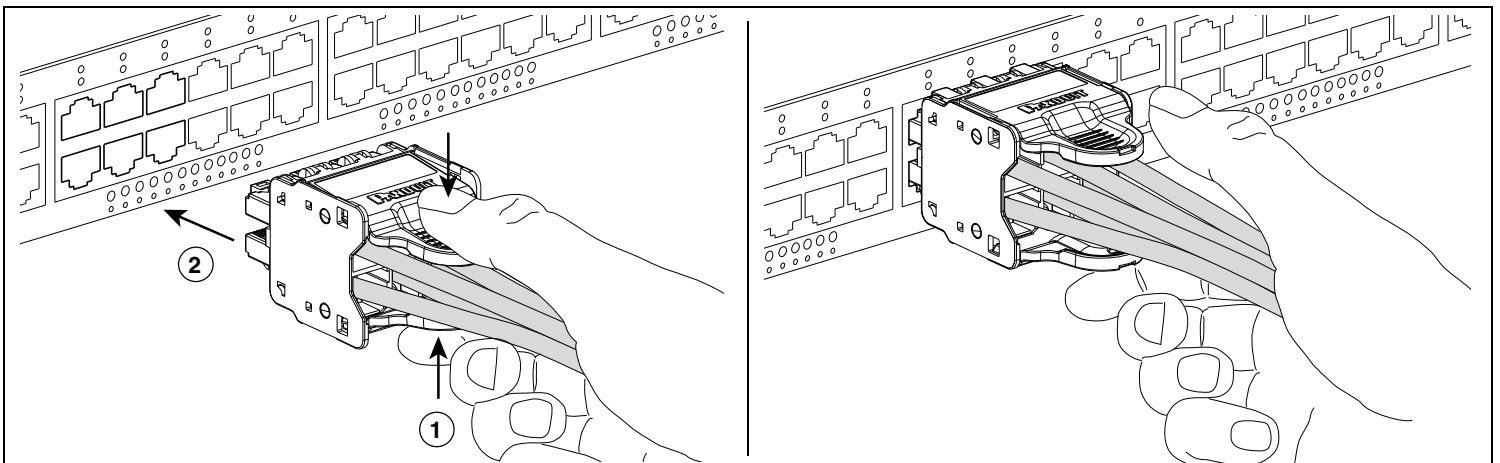
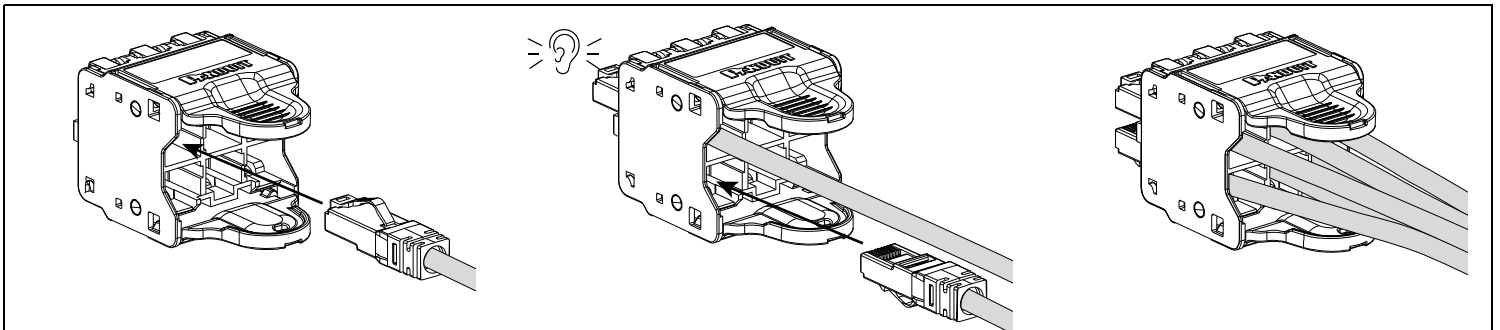
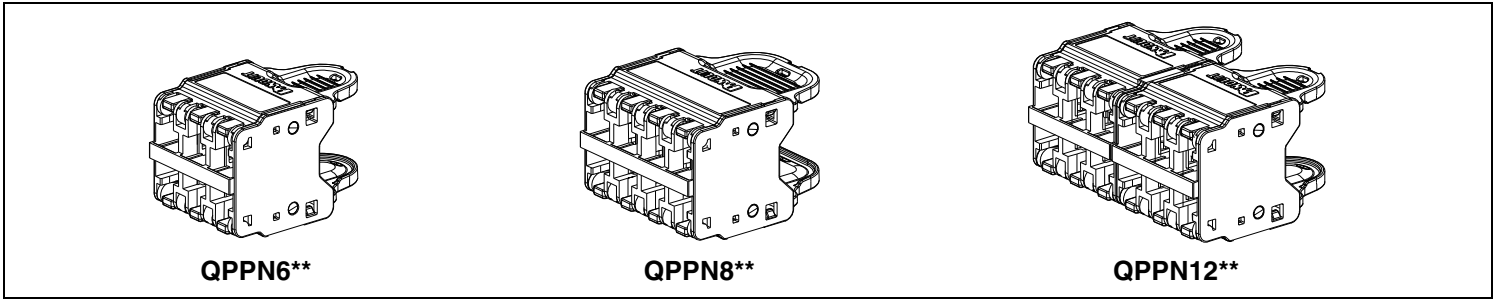
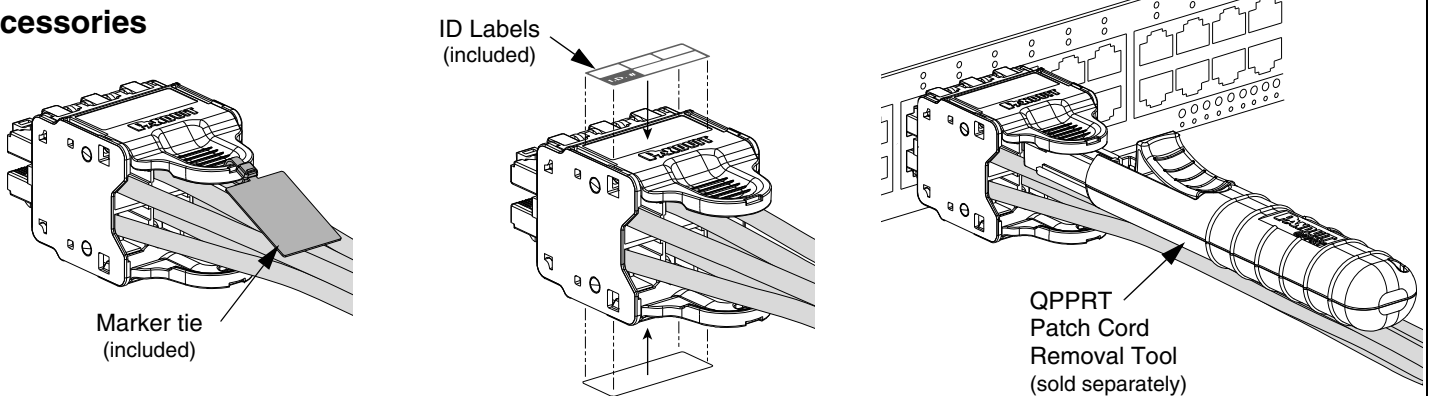


Guaranteed compatible with Panduit plugs and cord assemblies only.



Accessories



** Denotes color (BU - blue, WH - white, BL - black, RD - red).

For Instructions in Local Languages
and Technical Support:
www.panduit.com/resources/install_maintain.asp

PANDUIT
www.panduit.com

E-mail:
techsupport@panduit.com
Phone:
866-405-6654