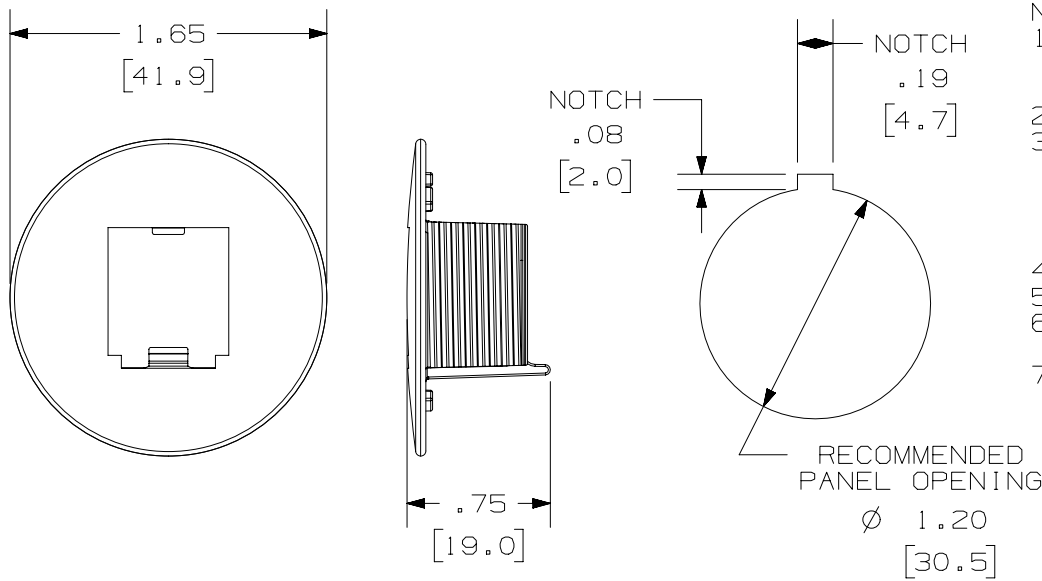
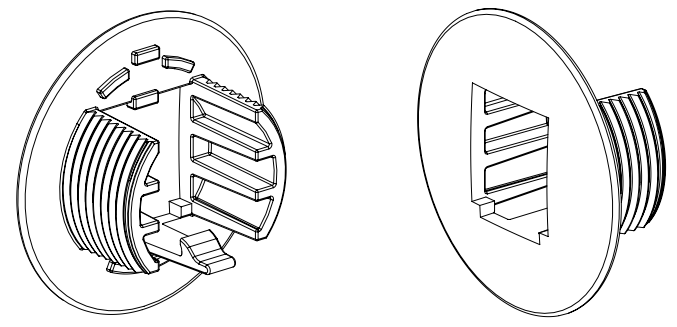
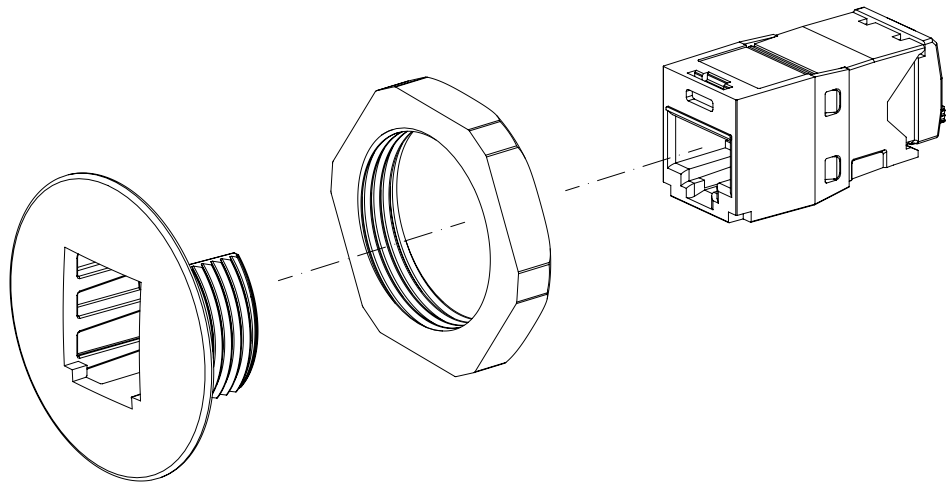


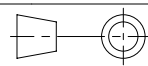
THIS COPY IS PROVIDED ON A RESTRICTED BASIS AND IS NOT TO BE USED IN ANY WAY DETRIMENTAL TO THE INTERESTS OF PANDUIT CORP.



- NOTES:
1. VISIT OUR ON-LINE CATALOG AT WWW.PANDUIT.COM FOR A LIST OF CURRENT PARTS APPLICABLE FOR USE WITH THIS PRODUCT.
 2. DIMENSIONS IN [] ARE METRIC.
 3. ALL MATERIALS AND COMPONENTS USED MEET THE MATERIAL RESTRICTIONS OF RoHS (EUROPEAN DIRECTIVE 2011/65/EU ON THE RESTRICTION OF HAZARDOUS SUBSTANCES) AS PROPOSED BY THE RoHS TECHNICAL ADAPTATION COMMITTEE.
 4. WEIGHT: 0.988 oz (28 g)
 5. PART INCLUDES: SINGLE SERVICE PORT, LOCKNUT
 6. SEE SHEET 2 FOR COMPLETE LIST OF AVAILABLE PART NUMBERS.
 7. RECOMMENDED PANEL OPENING: 1.2 [30.5]



SINGLE SERVICE PORT ASSEMBLY

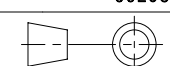
PART NUMBER		ISSP2BL* (SEE SHEET 2)		
TITLE		SINGLE SERVICE PORTS		
		CUSTOMER DRAWING		
ITEM REVISION NAME		00293EAF/01		
DATASET FILE NAME		00293EAF_DC/01A		
		THIRD ANGLE PROJECTION		
MATERIAL		PBT		
		DRAWING NUMBER		
		00293EAF - DC		
DRAWN BY	DATE	CHK	SCALE	SIZE
MRWA	4-23-19	EOS	NONE	A

A-SIZE CUSTOMER

01A	6-4-19	MRWA	EOS	GSI	B. UPDATED DESCRIPTIONS ON SHEET 2 A. REPLACED REAR VIEW WITH PANEL OPENING VIEW	00293EAF-DC
00A	4-23-19	MRWA	EOS	GSI	INITIAL RELEASE	00293EAF-DC
REV	DATE	BY	CHK	APR	DESCRIPTION	ECN

THIS COPY IS PROVIDED ON A RESTRICTED BASIS AND IS NOT TO BE USED IN ANY WAY DETRIMENTAL TO THE INTERESTS OF PANDUIT CORP.

PART NUMBER	PART DESCRIPTION	INCLUDED MINI-COM P/N
I SSP2BL	30.5mm BLACK NOTCHED SINGLE SERVICE PORT WITHOUT MINI-COM MODULE	--
I SSP2SJ6XNNBL	30.5mm BLACK NOTCHED SINGLE SERVICE PORT WITH SHIELDED JACK MODULE (CAT 6A)	CJS6X88TGY
I SSP2UJ6XNNBL	30.5mm BLACK NOTCHED SINGLE SERVICE PORT WITH BLACK UTP JACK MODULE (CAT 6A)	CJ6X88TGBL
I SSP2UC6XNNBL	30.5mm BLACK NOTCHED SINGLE SERVICE PORT WITH BLACK UTP COUPLER JACK MODULE (CAT 6A)	CC6X88BL
I SSP2SJ6XSNBL	30.5mm BLACK NOTCHED SINGLE SERVICE PORT WITH SHIELDED SHUTTERED JACK MODULE (CAT 6A)	CJSH6X88TGY
I SSP2UJ6NNBL	30.5mm BLACK NOTCHED SINGLE SERVICE PORT WITH BLACK UTP JACK MODULE (CAT 6)	CJ688TGBL
I SSP2SJ6NNBL	30.5mm BLACK NOTCHED SINGLE SERVICE PORT WITH SHIELDED JACK MODULE (CAT 6)	CJS688TGY
I SSP2UC6NNBL	30.5mm BLACK NOTCHED SINGLE SERVICE PORT WITH BLACK UTP COUPLER JACK MODULE (CAT 6)	CC688BL
I SSP2SJ6SNBL	30.5mm BLACK NOTCHED SINGLE SERVICE PORT WITH SHIELDED SHUTTERED JACK MODULE (CAT 6)	CJSH688TGY
I SSP2UC5ENNBL	30.5mm BLACK NOTCHED SINGLE SERVICE PORT WITH BLACK UTP COUPLER JACK MODULE (CAT 5E)	CC5E88BL
I SSP2UJ5ENNBL	30.5mm BLACK NOTCHED SINGLE SERVICE PORT WITH BLACK UTP JACK MODULE (CAT 5E)	CJ5E88TGBL
I SSP2SJ5ENNBL	30.5mm BLACK NOTCHED SINGLE SERVICE PORT WITH SHIELDED JACK MODULE (CAT 5E)	CJS5E88TGY
I SSP2SJ5ESNBL	30.5mm BLACK NOTCHED SINGLE SERVICE PORT WITH SHIELDED SHUTTERED JACK MODULE (CAT 5E)	CJSH5E88TGY
I SSP2UC1NNBL	30.5mm BLACK NOTCHED SINGLE SERVICE PORT WITH BLACK USB COUPLER MODULE	IAPCMUSBAA
I SSP2UJ6CNBL	30.5mm BLACK NOTCHED SINGLE SERVICE PORT WITH BLACK CORROSIVE RESISTANT UTP JACK MODULE (CAT 6)	CJE688TGBL
I SSP2UC2NNBL	30.5mm BLACK NOTCHED SINGLE SERVICE PORT WITH BLACK 3.5mm STEREO CONNECTOR	CM35MSSBL

PART NUMBER		ISSP2BL* (SEE ABOVE TABLE)	
TITLE			
SINGLE SERVICE PORTS			
CUSTOMER DRAWING			
ITEM REVISION NAME		00293EAF/01	
DATASET FILE NAME		00293EAF_DC/01A	
		THIRD ANGLE PROJECTION	
DRAWING NUMBER		00293EAF - DC	
MATERIAL		PBT	
DRAWN BY	DATE	CHK	SCALE
MRWA	4-23-19	EOS	NONE
REV	DATE	BY	CHK
00A	4-23-19	MRWA	EOS
01A	6-4-19	MRWA	EOS

REV	DATE	BY	CHK	APR	DESCRIPTION	ECN
00A	4-23-19	MRWA	EOS	GSJ	SEE SHEET 1 FOR CHANGE HISTORY	00293EAF-DC
01A	6-4-19	MRWA	EOS	GSJ	SEE SHEET 1 FOR CHANGE HISTORY	00293EAF-DC

A-SIZE CUSTOMER

B

B

A

A