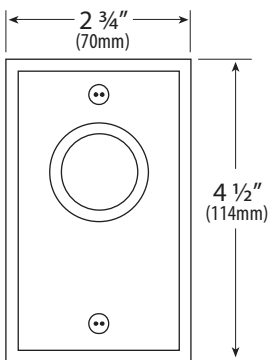




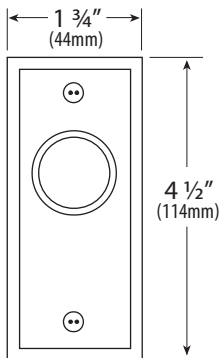
CM-7000/8000 EXIT SWITCHES



CM-7000



CM-7000



CM-7100

CM-7000 FEATURES

- ULTRA LOW PROFILE DESIGN
- PROTRUDES LESS THAN 3/4" FROM WALL
- BUTTON RECESSED INTO PROTECTIVE HOUSING
- REDUCES ACCIDENTAL ACTIVATION
- EXCELLENT PROTECTION AGAINST DAMAGE AND VANDALISM

CM-8000 FEATURES

- LOW PROFILE DESIGN
- PROTRUDES LESS THAN 1" FROM WALL
- BUTTON EXTENDS 1/4" FROM PROTECTIVE METAL HOUSING
- EASY TO ACTIVATE
- GOOD PROTECTION AGAINST DAMAGE AND ABUSE

COMMON FEATURES

- 1" DIAMETER, RED OR GREEN BUTTONS
- MOUNTED ON HEAVY 1/4" THICK ALUMINUM PLATE
- SINGLE GANG & 1 3/4" WIDTH PLATES AVAILABLE
- INDOOR OR OUTDOOR APPLICATIONS
- DOOR FRAME, WALL & PEDESTAL MOUNTING
- SPRING RETURN OPERATION
- VANDAL AND TAMPER RESISTANT
- TAMPERPROOF SCREWS PROVIDED
- STACKABLE CONTACTS CAN CONTROL 6 DISTINCT FUNCTIONS
- PNEUMATIC 1-60 SECOND TIMER OPTION
- UL/CSA APPROVED SWITCHES RATED 10 AMPS @ 30V DC
- COLOR CODED 18 AWG SPADE CONNECTIONS
- BRUSHED ALUMINUM FINISH
- CUSTOM ENGRAVING AND FINISHES AVAILABLE
- FAST & EASY TO INSTALL

DESCRIPTION

CAMDEN DOOR CONTROLS 7000/8000 Series low profile exit switches are vandal resistant; designed and manufactured to meet the stringent demands of exit controls. They are supplied with a 1/4" thick heavy duty brushed aluminum plate, in 1 3/4" or 2 3/4" widths. Optional duranodic (US 40) finish is also available.

CM-7000 Series Recessed Buttons are specially designed to limit accidental activation, and to provide protection from vandalism. This is achieved by having the button recessed inside a metal housing. The ultra low profile design protrudes less than 3/4" from the wall.

CM-8000 Series Extended Buttons are inobtrusive, yet easy to activate. The button extends from the metal housing, to provide visibility and to allow for quick and easy activation. The low profile design protrudes less than 1" from the wall.

The switches are UL/CSA approved, rated at 10 amps. The design of the CAMDEN Exit Button is modular, so contacts can be stacked to control up to six distinct functions simultaneously. Optional 1-60 second pneumatic timer can be added instead of contact blocks. Timer features 10 amp DPST (N/O and N/C) contacts. CAMDEN Switches provide an economical, practical, attractive method to control electrical devices.

APPLICATION

CAMDEN Exit Switches are ideal for high traffic areas, such as store and building front entrances, and exits. They can be surface, flush, or mullion (narrow) mounted. Easily visible, they are available with single gang (2 3/4"), or narrow (1 3/4") mounting plates.

CAMDEN Exit Switches are designed to control overhead doors, electric locks, electro-magnetic locks, electric strikes, automatic doors, and handicap operators. They may also be used for motor control, shunting, bypassing alarms, request to exit, timed functions, and many other applications. The switches are made for high frequency usage, in an indoor or outdoor environment. CAMDEN Exit Switches are versatile, and are supplied in various configurations to suit commercial, industrial and residential applications.

EXIT SWITCHES



ARCHITECTS /ENGINEERS SPECIFICATIONS

The Exit switch(es) to be used throughout the site or complex shall be CAMDEN DOOR CONTROLS, CM-7000/8000 series Exit switches. The assembly shall be tamper and vandal resistant. The faceplate shall be made of 1/4" thick aluminum, and supplied with stainless steel Torx or snake eye-security screws. All buttons must be encased in a protective metal housing. All symbols, letters, and/or markings shall be permanently engraved into the button.

The CM-7000 series shall be utilized in areas requiring a low profile, vandal resistant exit switch. The button shall be recessed inside a protective metal housing, and protrude less than 3/4" from the wall.

The CM-8000 series shall be used in applications requiring an inobtrusive, easy to activate exit switch. The button shall extend 1/4" from the protective metal housing, and protrude no more than 1" from the wall. Rating for all electrical contacts shall be a minimum of 10 amps @ 30 VDC. The switch used shall be a UL/CSA approved type, supplied with color coded spade leads. The switch assembly shall be modular, allowing for up to six distinctive functions upon activation of the push button.

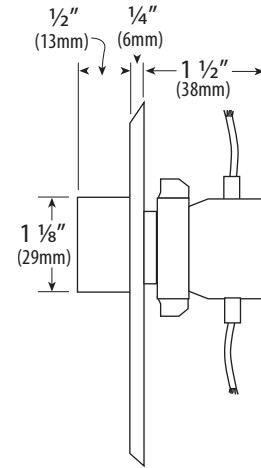
ORDERING INFORMATION

MODEL CM-7000 SERIES RECESSED EXIT SWITCHES come with a 1" button (red, or green), brushed aluminum faceplate, modular contact block, 2 socket/slotted screws, and 2 tamperproof screws.

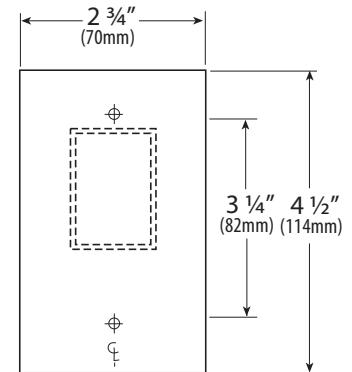
MODEL	DESCRIPTION
SINGLE GANG FACEPLATE - 2 3/4" (70MM)	
CM-7000	SPRING RETURN N/O, SPST MOMENTARY
CM-7010	SPRING RETURN N/C, SPST MOMENTARY
CM-7020	SPRING RETURN N/O & N/C, DPST MOMENTARY
CM-7085	SPRING RETURN DPST PNEUMATIC TIMER 1-60 SECONDS
NARROW STILE FACEPLATE - 1 3/4" (44MM)	
CM-7100	SPRING RETURN, N/O, SPST MOMENTARY
CM-7110	SPRING RETURN, N/C, SPST MOMENTARY
CM-7120	SPRING RETURN, N/O & N/C, DPST MOMENTARY
CM-7185	SPRING RETURN DPST PNEUMATIC TIMER 1-60 SECONDS

MODEL CM-8000 SERIES EXTENDED EXIT SWITCHES come with a 1" button (red or green), brushed aluminum faceplate, modular contact block, 2 socket/slotted screws, and 2 tamperproof screws.

MODEL	DESCRIPTION
SINGLE GANG FACEPLATE - 2 3/4" (70MM)	
CM-8000	SPRING RETURN N/O, SPST MOMENTARY
CM-8010	SPRING RETURN N/C, SPST MOMENTARY
CM-8020	SPRING RETURN N/O & N/C, DPST MOMENTARY
CM-8085	SPRING RETURN DPST PNEUMATIC TIMER 1-60 SECONDS
NARROW STILE FACEPLATE - 1 3/4" (44MM)	
CM-8100	SPRING RETURN, N/O, SPST MOMENTARY
CM-8110	SPRING RETURN, N/C, SPST MOMENTARY
CM-8120	SPRING RETURN, N/O & N/C, DPST MOMENTARY
CM-8185	SPRING RETURN DPST PNEUMATIC TIMER 1-60 SECONDS



CM-7000



CM-7000/8000

For Finishes, add:

'DUR' for DURANODIC (US 40)

For Color, add:

'R' for RED button

'G' for GREEN button

For Engraving, add:

'E' for EXIT engraved in white

'S' for SORTIE engraved in white

'SA' for SALIDA engraved in white



5502 Timberlea Blvd. Mississauga, ON Canada L4W 2T7 • Toll Free: 1 877 226-3369 (CAMDEN9)
Tel: (905) 366-3377 • Fax: (905) 366-3378 • E-mail: info@camdencontrols.com • www.camdencontrols.com

LIT-SP-7&8000



Certified ISO 9001: 2008

FS 541752