

DL-HFC-***F Technical Specifications

Plenum High-Speed HDMI Active Optical Cable

Rev. 151209

The DL-HFC Hybrid Active Optical HDMI® Cable is a Plenum Rated High Speed HDMI® product featuring a very low profile hybrid copper/fiber bulk cable, detachable HDMI heads for ease of pulling in very small and tight locations, and unbeatable performance. The product is capable of supporting digital multimedia data rates up to 10.2 Gbps. This permits this product to support full HDMI 2.0 resolutions of 4K@30Hz 4:4:4 and 4K@60Hz 4:2:0. The fiber optic technology utilized in this product is fully HDCP 2.2 compliant.

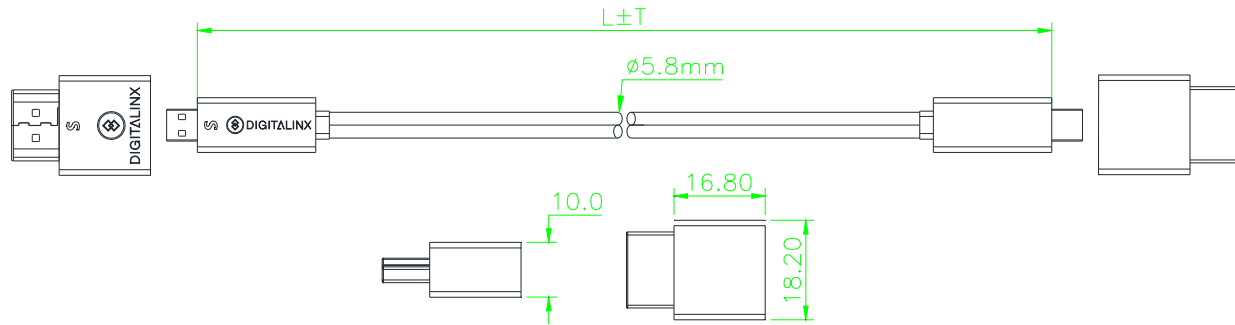
Since this is a hybrid fiber optic cable and the high speed video data is carried on the fiber component, the DL-HFC cable video is immune to electromagnetic (EM) and radio frequency (RF) interference, which could degrade signal performance, and the signals on the cable will not interfere with other sensitive electronic equipment. The fiber optic cable diameter does not have to increase as the cable length increases which is not the case with traditional copper HDMI cable solutions. The copper components allow the Hot Plug Detect feature to be used in conjunction with auto functioning switches.

This cable does require power from the HDMI receptacle. If plugged into passive junctions like a pass through HDMI wall plate or panel connector, the associated patch cable on the opposite side is recommended to be 2 meters or less in length. The patch cable should also be passive, without active chipsets. Longer lengths and active cables may cause insufficient power to be available to the DL-HFC HDMI connectors. It is always recommended in any digital media application to test your setup prior to pulling cables in walls.

Key Features:

- Detachable HDMI® Heads
- Video Immunity to EMI and RFI Interference
- Plenum Rated
- Multichannel Audio
- No external power required
- Ultra small diameter
- Passes Hot Plug Detect





Technical Specifications	
I/O Connections	
HDMI	Male HDMI Type A connector and female HDMI Type D receptacle
Umbilical Connection	Male HDM type D connector for fiber optic connection to cable TX/RX units
Supported Audio and Video	
Maximum Video Compatibility	4K@60Hz 4:2:0, 1080P60 Deep Color, 3D
Video Compliance	HDMI, HDCP 2.2, and CEC (Consumer Electronics Control)
Embedded Audio	Up to 32 audio channels, this cable does not support the audio return channel
Input DDC Signal	5.0 volts p-p (TTL)
Input Video Signal	0.5 to 1.0 volts p-p
Maximum Bandwidth	21.0 Gbps
Cable Construction	
HDMI Connector Material	Molded ABS
HDMI Head Connector Dimensions	L: 16.8mm x W: 18.2mm x H: 10.0mm
HDMI Umbilical Head Connector Dimensions	L: 24.25mm x W: 10.0mm x H: 7.50mm
Fiber Jacket Material	Plenum Rated PVC
Cable Construction	Parallel Zip with 4 OM2 equiv. fibers in one side and 6 copper wires in the other
Overall Cable Diameter	2.35x5.80 mm
Minimum Bend Radius	24 mm on the lesser diameter
Maximum Tensile Load	22 kg (50 lbs.)
Environmental Requirements	
Operating Temperature	0° to +75° C (+32° to +167° F)
Operating Humidity	20% to 85%, Non-condensing
Storage Temperature	-20° to +60° C (-4° to +140° F)
Storage Humidity	20% to 85%, Non-condensing
Power and Regulatory	
Power Supply	Via HDMI pin 18, 5 volt DC
Power Consumption	0.25 watts
Regulatory	NEC rated CMP-OF, CEC rated CMP, RoHS-2 Compliant
Other	
Warranty	2 years

Liberty Wire & Cable specifications are subject to change without notice. Contact an account representative for current product specifications. Liberty Wire & Cable continuously strives to ensure product specifications are accurate and complete. All physical specifications are nominal.

Part Numbers	Part Description	Cable Length
DL-HFC-025F	HDMI PLENUM HYBRID AOC 25 FEET	8 meters / 25 feet
DL-HFC-035F	HDMI PLENUM HYBRID AOC 35 FEET	10 meters / 35 feet
DL-HFC-050F	HDMI PLENUM HYBRID AOC 50 FEET	15 meters / 50 feet
DL-HFC-075F	HDMI PLENUM HYBRID AOC 75 FEET	23 meters / 75 feet

National Electric Code® is a registered trademark of the National Fire Protection Agency (NFPA)

NEC® is a registered trademark of the National Fire Protection Agency (NFPA)

HDMI® is a registered trademark of HDMI, LLC

High Definition Multimedia Interface® is a registered trademark of HDMI, LLC